



## Axis – For big magic on a small stage

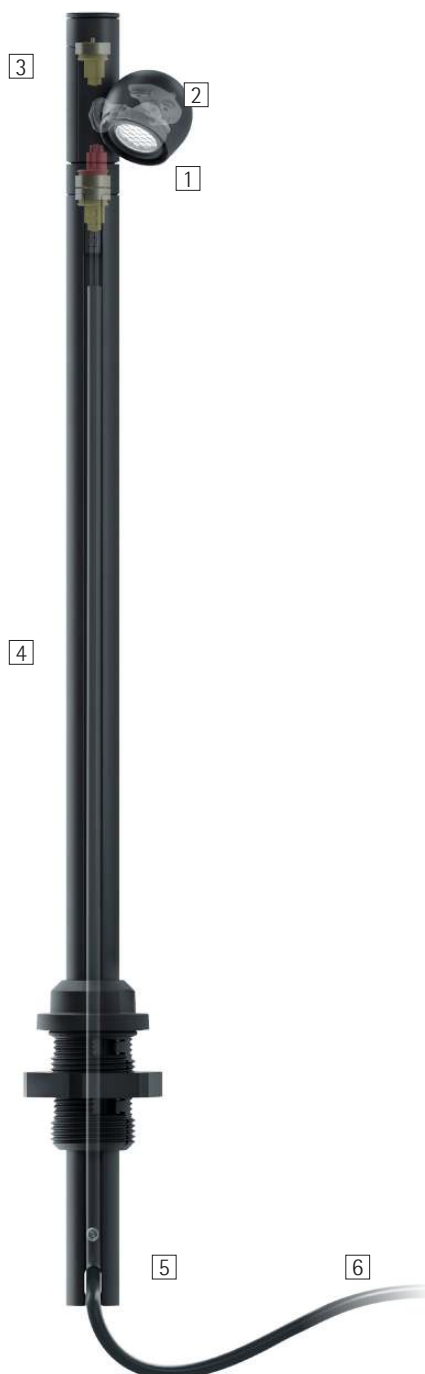
### **A flexible system that perfects holistic lighting concepts for museums**

No more compromises with the display of showcases, dioramas or small, filigree exhibits with light: Axis is a system consisting of miniaturized recessed luminaires and light heads for mounting on stems that in terms of quality seamlessly connect to ERCO's trusted museum lighting solutions. Sophisticated lighting technology not only ensures exact color matching with its 'big brothers', but also a comparable level of flexibility – in this case in tight installation

situations. From above or below, in different configurations, with interchangeable lenses and with a wide range of accessories, Axis gives free rein to display possibilities along with optimal protection for sensitive objects. Likewise holistically designed: digital control via Casambi Bluetooth and DALI (gateway) as well as manual dimming of the luminaires on the control gear.

## Structure and characteristics

The features described here are typical of products in this range. Special versions may offer additional or varying features. A comprehensive description of the features of individual products can be found on our website.



### 1 Lens Unit

- Rotatable through 360°
- Polymer, black
- Collimating lens made of optical polymer
- ERCO Spherolit lenses: spot, flood or wide flood

### 2 ERCO LED-module

- High-power LEDs: warm white (2700K or 3000K) or neutral white (3500K or 4000K)

### 3 Light head

- Black (RAL9005)
- Polymer/metal, black coated
- Rotatable through 360°
- 0-70° pivotable (semi-recessed luminaire) or 0-135° pivotable (stem luminaire/surface-mounted luminaire)
- Magnetic attachment to the stem or mounting plate

### 4 Stem (stem luminaire)

- Black (RAL9005)
- Aluminum profile, matt coated
- Fastening nut, polymer
- Height adjustable 64-306mm

or

### Mounting plate (surface-mounted luminaire)

- Black (RAL9005)
- Aluminum profile, matt coated
- Fastening nut, polymer

or

### Mounting frame (semi-recessed luminaire)

- Order 1, 2 or 4-fold mounting frame separately
- Polymer, black (RAL9005)

### 5 Connection cable

- Black
- 2x 0.35mm<sup>2</sup>, L 1.0m

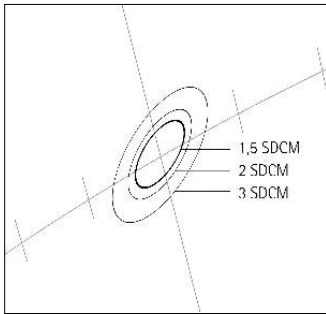
### 6 Control gear (order separately)

- On-board Dim or Casambi Bluetooth
- On-board Dim version: rotary control for control of brightness on the control gear



Design and application:  
[www.erco.com/axis](http://www.erco.com/axis)

# Axis Showcase lighting



**ERCO quality of light**  
 Selected according to maximum demands in terms of luminous flux, color rendering and color consistency, we use only the best LEDs with museum-quality light.



**Miniaturized luminaires**  
 Great light, extremely small luminaires: the light heads, with a diameter of only 25mm, are particularly small and remain elegantly in the background.



**Flexible mounting**  
 Light where you need it: mount Axis on the ceiling or base of the showcase. Either installed discreetly or flexibly on the stem, and always with pan-and-tilt adjustment.



**Magnetic attachment**  
 Add further light heads to the stem- and surface-mounted luminaire. Thanks to magnetic fastening, this can be done in seconds without tools.



**Lenses, filters and honeycomb louvers**  
 Change the distributions without tools or model the light using attachable filters. Even more visual comfort can be achieved with snoots and honeycomb louvers.

Special characteristics	
	ERCO quality of light
	Miniaturized luminaires
	Various mounting methods
	Magnetic attachment
	Diverse accessories

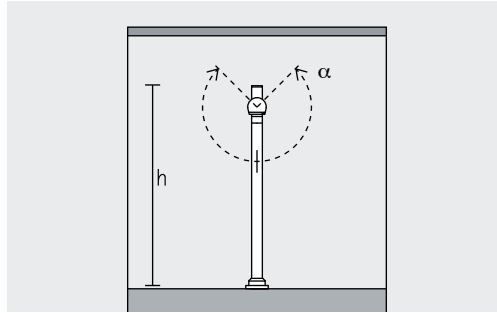
	ERCO high-power LEDs
	Efficient Spherolit technology
	Different light distributions
	Different light colors

	Excellent thermal management
	EMC-optimized
	Pivotable through 270°
	Accessory for maximum visual comfort

	On-board Dim
	Casambi Bluetooth

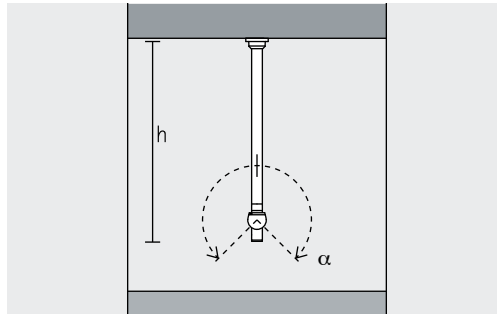
# Axis Showcase lighting – Luminaire arrangement

**Stem luminaires**  
Spot, Flood, Wide flood

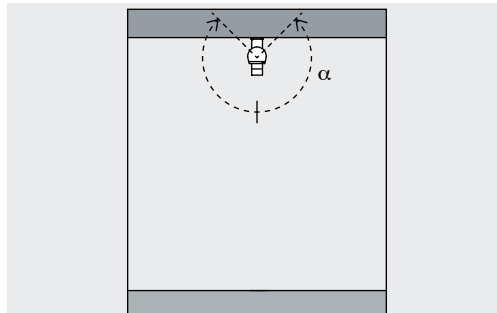


**Display case lighting**  
Stem luminaires are ideal for illuminating exhibits from different heights. Stem lights can be mounted on the floor of the showcase as well as to the showcase ceiling, and can be adjusted in height (h) from 2 9/16" / 64mm to 12 1/16" / 306mm.

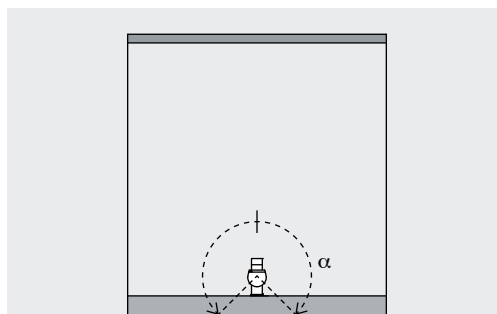
The light heads can be infinitely rotated in a circle. The swivel range of ( $\alpha$ ) 270° is aligned in the direction of the mounting surface.



**Surface-mounted luminaires**  
Spot, Flood, Wide flood

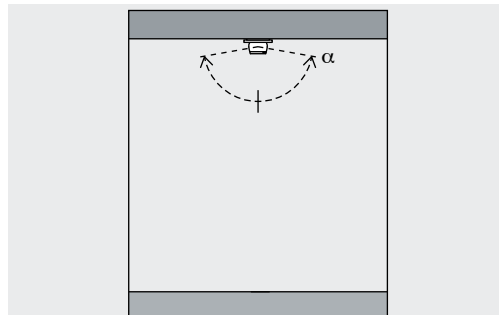


**Display case lighting**  
Surface-mounted luminaires are perfect for illuminating exhibits from different directions. The swivel range of ( $\alpha$ ) 270° is directed away from the mounting surface. Mounted on the showcase ceiling, their light is directed downwards – from the showcase floor, however, they illuminate upwards. The light heads can be infinitely rotated in a circle.



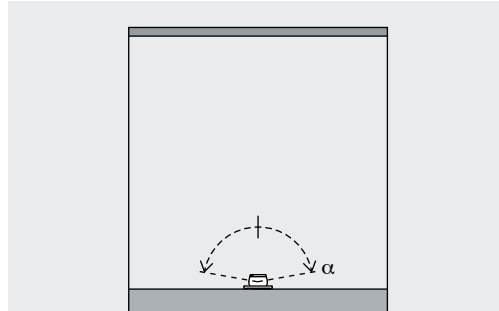
# Axis Showcase lighting – Luminaire arrangement

**Semi-recessed luminaires**  
Spot, Flood, Wide flood

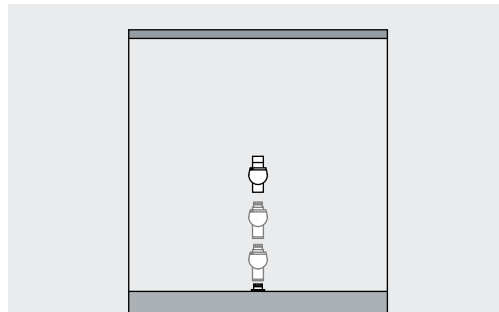


**Display case lighting**  
Semi-recessed luminaires are particularly discreet and can be installed in the showcase ceiling and floor. Mounting frames for one, two or four light heads are optionally available.

The light heads can be tilted to ( $\alpha$ ) 140° and rotated by up to 360°.

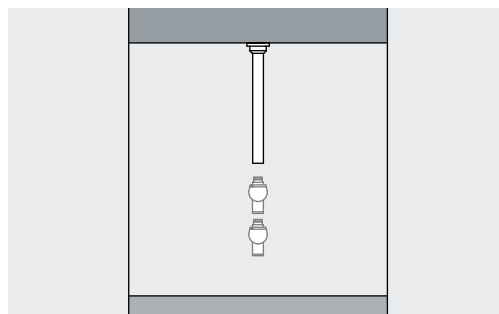


**Extension light heads**  
Spot, Flood, Wide flood



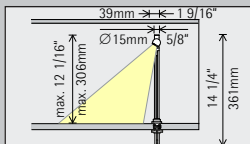
**Display case lighting**  
Axis stem luminaires and surface-mounted luminaires can be supplemented with additional, magnetically attachable light heads. This creates flexible lighting solutions for a variety of different exhibits. Up to 2 extension light heads can be added when mounting on the floor and one when mounting on the ceiling.

An extension light head can be used for both stem luminaires and surface-mounted luminaires. Due to the polarity of the magnetic connection, the alignment and thus the pan-and-tilt range corresponds to that of the luminaire light heads.

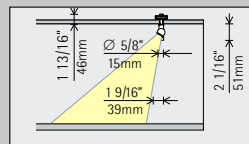


# Axis showcase lighting

Construction size 306mm



51mm



LED module  
Maximum value at 4000K CRI 92

1W/141lm

1W/141lm

Light color

	2700K CRI 92		3500K CRI 92
	3000K CRI 92		4000K CRI 92
	3000K CRI 97		

	2700K CRI 92		3500K CRI 92
	3000K CRI 92		4000K CRI 92
	3000K CRI 97		

Light distribution

Stem luminaires

	Spot
	Flood
	Wide flood

Surface-mounted luminaires

	Spot
	Flood
	Wide flood

Control

- ✓ On-board Dim
- ✓ Casambi Bluetooth
- ✓ 0-10V controllable (via bridge)

- ✓ On-board Dim
- ✓ Casambi Bluetooth
- ✓ 0-10V controllable (via bridge)

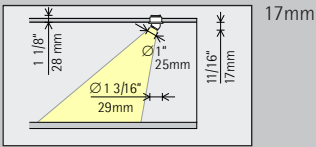
Color (housing)

Black

Black

Accessory

	Lens Units		Snoot		Control gears
	Lenses		Honeycomb louvre		Distributor
	Filter		Mounting frame		Bridges/Gateways* 0-10V, DALI, DMX



17mm

1W/141lm

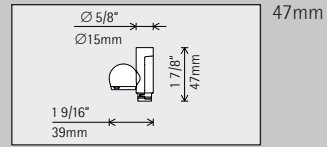
	2700K CRI 92		3500K CRI 92
	3000K CRI 92		4000K CRI 92
	3000K CRI 97		

Semi-recessed luminaires

●	Spot
●	Flood
●	Wide flood

- ✓ On-board Dim
- ✓ Casambi Bluetooth
- ✓ 0-10V controllable (via bridge)

Black



47mm

1W/141lm

	2700K CRI 92		3500K CRI 92
	3000K CRI 92		4000K CRI 92
	3000K CRI 97		

Extension light heads

●	Spot
●	Flood
●	Wide flood

- ✓ On-board Dim
- ✓ Casambi Bluetooth
- ✓ 0-10V controllable (via bridge)

Black

Article numbers and planning data:  
[www.erco.com/026070-us](http://www.erco.com/026070-us)

Design and application:  
[www.erco.com/axis/en\\_us](http://www.erco.com/axis/en_us)



