



Quinta – Diversely combinable

Recessed spotlight with darklight lens

Real team players: Quinta recessed spotlights go just as well with Quintessence or Atrium downlights as Eclipse or Uniscan spotlights. Quinta has the same mounting rings in sizes 3 to 8 as the downlights and the same darklight lenses as the spotlights, thus providing quality of light and visual comfort at the highest levels. In this way, ceiling-integrated general lighting, accent lighting and wall-washing can be elegantly realized throughout, for example in lobbies or in the café of a museum. The

interchangeable darklight optics and matching accessories make Quinta extremely versatile. They simultaneously achieve a reduced, minimalist ceiling appearance – "light instead of luminaires". Up-to-date connectivity is a matter of course, including wireless control via Casambi Bluetooth as an option.



Structure and characteristics

The features described here are typical of products in this range. Special versions may offer additional or varying features. A comprehensive description of the features of individual products can be found on our website.

1 ERCO lenses

- Made of optical polymer
- Darklight lenses: narrow spot, spot, flood, wide flood or extra wide flood
- Spherolit lenses: oval flood, oval wide flood or wallwash

2 ERCO LED module

- High-power LEDs: warm white (2700K or 3000K) or neutral white (3500K or 4000K)
- Collimating lens made of optical polymer

3 Lens unit and cover

- White (RAL9002) or black
- Polymer

4 Mounting ring

- Covered mounting detail
- Fixing for ceiling thicknesses of 1-25mm (size 3-4) or 1-30mm (size 5-8)
- Polymer, white
- For flush mounting: mounting ring to be ordered separately, fixing for ceiling thicknesses of 12.5-25mm

5 Housing

- Cast aluminium, designed as heat sink
- 0°-30° tilt, 360° rotation
- Fixing ring: polymer, black

6 Control gear

- Switchable, 0-10V dimmable or Casambi Bluetooth

Variants on request

- Cover, lens unit and mounting ring: 10,000 further colors
- Please contact your ERCO consultant.



Design and application:
www.erco.com/quinta-r

Quinta Recessed spotlights



Darklight technology
The darklight lens not only creates a magical impression with just one light point. It also features precise, uniform light distributions, wide flexibility in the selection of beam characteristics and state of the art efficiency.



Cover as design element
Quinta can be customised according to individual requirements and used as a ceiling-integrated design element. In addition to black and white, over 10,000 housing colors can be selected from.



Covered or flush mounting detail
As standard, all recessed luminaires have overlapping installation details. Flush mounting rings are available as accessories.



Flexibility of design thanks to accessories
Filters can be used to adjust the colour temperature. Snouts and honeycomb louvers increase visual comfort. You can model the spectrum and light distribution with filters or soft focus lenses.

Special characteristics



Efficient low brightness technology



Colour variants on request



Flush or covered mounting detail



Accessory for maximum visual comfort



ERCO high-power LEDs



Optical cut-off 40°/50°/60° from horizontal



Different light distributions



Oval flood, freely rotatable



Different light colors



Excellent thermal management



EMC-optimized



Various housing colors



Various construction sizes



Pivotable through 30°



Tool-free mounting



Switchable



0-10V dimmable

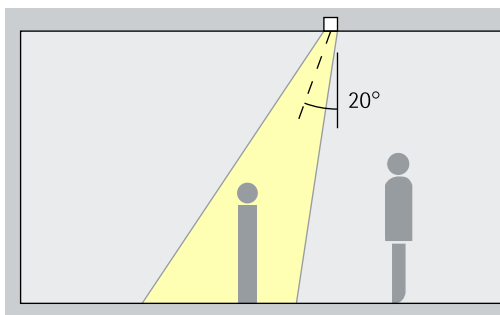


Casambi Bluetooth

Quinta Recessed spotlights – Luminaire arrangement

Recessed spotlights

Narrow spot, Spot, Flood



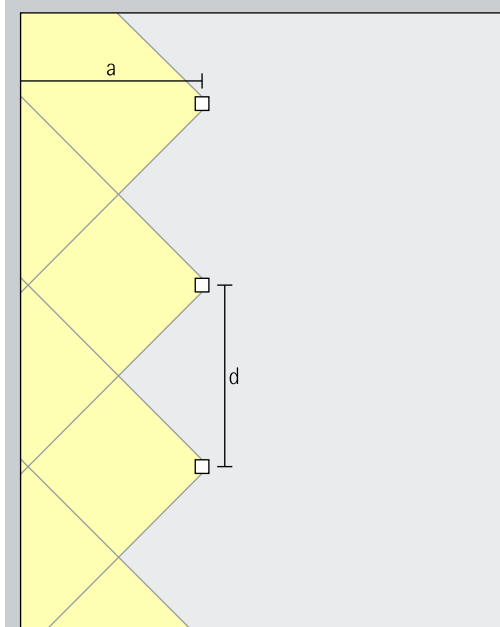
Accentuation

Quinta recessed spotlights effectively accentuate works of art, merchandise and architectural details. The ideal angle of tilt (α) for this is around 30°. The object is modeled without distorting the effect as a result of excessive shadowing. It also prevents shadows cast by the observer.

Arrangement: $\alpha = 30^\circ$

Recessed floodlights

Wide flood, Extra wide flood, Oval wide flood, Oval flood



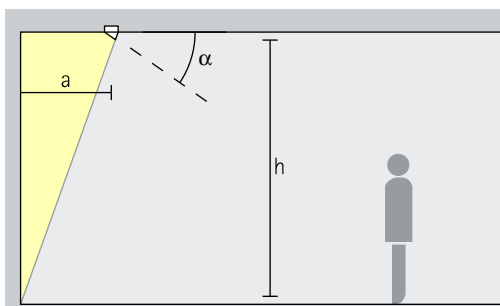
Washlighting

The ideal angle of tilt (α) for floodlighting objects with a long, square shape, e.g. pictures, sculptures or merchandise displays, is around 30°.

Arrangement: $\alpha = 30^\circ$

Recessed lens wallwashers

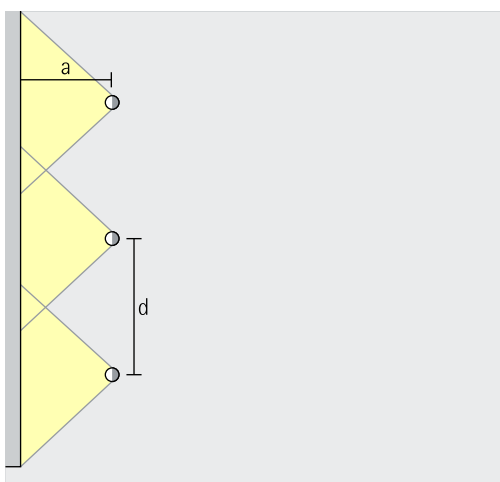
Wallwash



Wallwashing

For uniform vertical lighting, the distance to the wall (a) of Quinta lens wallwashers should be around one third of the room height (h). This results in an angle of tilt (α) of around 30°.

Arrangement: $a = 1/3 \times h$ or $\alpha = 30^\circ$



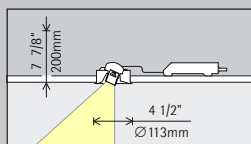
For good longitudinal uniformity, the spacing (d) of Quinta lens wallwashers may be up to 1.2 times the distance to the wall (a).

Arrangement: $d \leq 1.2 \times a$

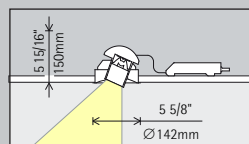
Optimal wall distances and luminaire spacing values for individual products are specified in the product data sheets.

Quinta Recessed spotlights, recessed floodlights, recessed wallwashers

Construction size



Size 3



Size 4

LED module Maximum value at 4000K CRI 82

2W/272lm	3.1W/382lm (Narrow spot)
3.1W/382lm	

8.1W/1086lm	3.1W/382lm (Narrow spot)
12.4W/1528lm	

Light color

	2700K CRI 92		3500K CRI 92
	3000K CRI 92		4000K CRI 82
	3000K CRI 97		4000K CRI 92

	2700K CRI 92		3500K CRI 92
	3000K CRI 92		4000K CRI 82
	3000K CRI 97		4000K CRI 92

Light distribution

Recessed spotlights	Recessed floodlights
Narrow spot	Wide flood
Spot	Extra wide flood
Flood	Oval flood
Recessed lens wallwashers	Oval wide flood
Wallwash	

Recessed spotlights	Recessed floodlights
Narrow spot	Wide flood
Spot	Extra wide flood
Flood	Oval flood
Recessed lens wallwashers	Oval wide flood
Wallwash	

Control

Switchable	Casambi Bluetooth
0-10V 0-10V	

Switchable	Casambi Bluetooth
0-10V 0-10V	

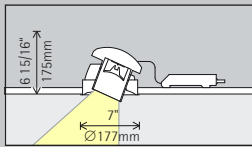
Color (housing)

	White		10,000 colours *
	Black		

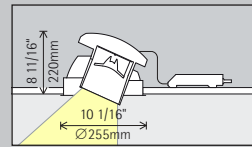
	White		10,000 colours *
	Black		

Accessories

	Lenses		Snoot		Ultra airtight I.C. box
	Filter		Junction box		Mounting ring
	Lens Units		Flexible metal conduit		Cover ring
	Honeycomb anti-glare screen		Plaster frame		



Size 5



Size 8

14.1W/1901lm	4.2W/481lm (Narrow spot)
21.6W/2673lm	

19.9W/2834lm	12.6W/1443lm (Narrow spot)
30.3W/4035lm	

	2700K CRI 92		3500K CRI 92
	3000K CRI 92		4000K CRI 82
	3000K CRI 97		4000K CRI 92

	2700K CRI 92		3500K CRI 92
	3000K CRI 92		4000K CRI 82
	3000K CRI 97		4000K CRI 92

Recessed spotlights		Recessed floodlights	
	Narrow spot		Wide flood
	Spot		Extra wide flood
	Flood		Oval flood
	Recessed lens wallwashers		Oval wide flood
	Wallwash		

Recessed spotlights		Recessed floodlights	
	Narrow spot		Wide flood
	Spot		Extra wide flood
	Flood		Oval flood
	Recessed lens wallwashers		Oval wide flood
	Wallwash		

	Switchable		Casambi Bluetooth
0-10V	0-10V		

	Switchable		Casambi Bluetooth
0-10V	0-10V		

	White		10,000 colours *
	Black		

	White		10,000 colours *
	Black		

* available on request

Article numbers and planning data:
www.erco.com/024720-us

Design and application:
www.erco.com/quinta-r/en_us



