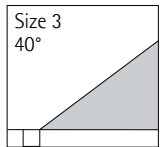
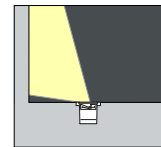
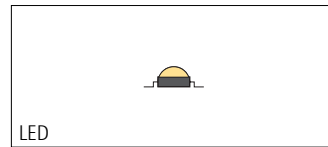
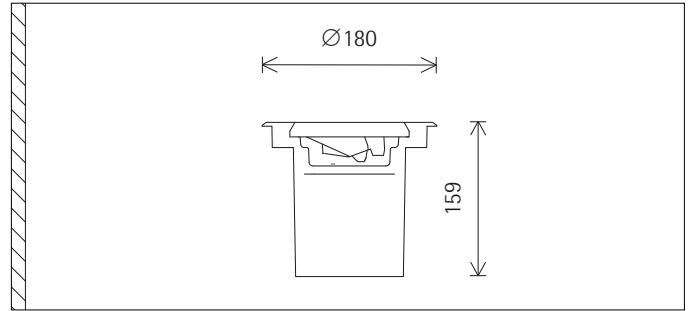


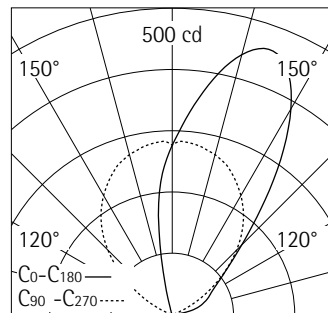
Lens wallwasher



33424.000
 LED 8W 840lm 3000K warm white
 Switchable
 Version 9
 Covered mounting detail
 Lens system, wallwash

Product description
 Housing: polymer, black.
 Control gear. Longitudinally watertight cable 2x1.5mm², L 800mm.
 LED module: high-power LEDs on metal-core PCB. Rotatable through 360°. Lens system made of optical polymer.
 Wallwasher reflector: polymer, aluminium vaporised, silver, ribbed, partially black lacquered, with lower diffuser. Optical cut-off 40°.
 Screw-fastened cover ring with flush safety glass: stainless steel. Safety glass: 15mm, clear.
 Installation with separate connection sleeve.
 Mounting in recessed housing: can be driven over by vehicles with pneumatic tyres. Load: 20kN.

Mounting in hollow floor: mounting kit to be ordered separately.
 Protection mode IP68 3m: protection against dust ingress, and continuous immersion up to 3m deep.
 Protection Class II
 Weight 1.70kg
 Version with 3000K CRI 95 or 2700K, 3500K, 4000K CRI 92 available on request.



Technical data	
Luminous flux of the luminaire	465lm
Connected load	10.0W
Luminaire efficacy	47lm/W
Colour deviation	1.5 SDCM
Colour rendition index	CRI 92
Lumen maintenance (LED manufacturer specifications)	L90/B10 ≤50000h L90 ≤100000h
LED failure rate	0.1% ≤50000h
Dimming range	--
Dimming method	--
LMF	E
Energy efficiency class	EEI A+
Standby power per control gear	--
Luminaires per circuit breaker B16	32
Temperature on the light aperture	38°C

For your regional contact in the ERCO
 Sales network [click here](http://www.erco.com/contact)
www.erco.com/contact

Technical Region: 220V-240V/50Hz
 We reserve the right to make technical and design changes.
 Edition: 21.02.2019
 Current version under
www.erco.com/33424.000

Planning data

Illuminance E_n (lx)

Specifications:

Number of luminaires $n > 5$

Wall height (m) 3.0

LED 8W 840lm 3000K warm white

Offset from wall (m) Luminaire spacing (m)	1.00		1.00		1.25		1.25	
	below the luminaire	between the luminaires	below the luminaire	between the luminaires	below the luminaire	between the luminaires	below the luminaire	between the luminaires
2.750	58	57	42	42	55	54	41	40
2.500	70	68	50	49	62	61	46	45
2.250	83	81	59	57	69	67	51	49
2.000	97	95	68	66	73	72	54	52
1.750	109	108	76	73	74	73	56	52
1.500	116	114	82	76	70	68	53	47
1.250	112	109	80	70	61	59	47	39
1.000	96	92	70	56	52	48	41	31
0.750	77	71	59	41	43	39	35	25
0.500	63	57	51	29	37	32	32	18
0.250	41	35	36	15	19	16	18	8

Cleaning (a) Ambient conditions	1				2				3			
	P	C	N	D	P	C	N	D	P	C	N	D
LMF	0.96	0.94	0.90	0.86	0.93	0.91	0.86	0.81	0.92	0.90	0.84	0.79
RSMF	0.91	0.83	0.68	0.51	0.90	0.81	0.67	0.50	0.90	0.81	0.67	0.50

Hours of operation (h)	1000	5000	10000	20000	30000	40000	50000
LLMF	1.00	0.99	0.98	0.96	0.94	0.92	0.90
LSF	1	1	1	1	1	1	1

MF	LMFxRSMFxLLMFxLSF
MF	Maintenance Factor
LMF	Luminaire Maintenance Factor
RSMF	Room Surface Maintenance Factor
LLMF	Lamp Lumens Maintenance Factor
LSF	Lamp Survival Factor
P	Room pure
C	Room clean
N	Room normal
D	Room dirty

Technical data in accordance with international norms and standards

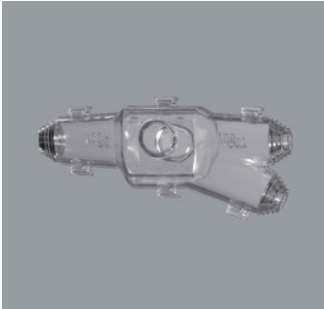
IEC 60598	Luminaires – Part 1+2: general requirements, specific requirements and tests
IEC 62031	LED modules for general lighting – safety requirements
IEC 62471	Photobiological safety of lamps and lamp systems
EN 13032-4	Light and lighting – measurement and representation of photometric data
CIE 13	Method of measuring and specifying colour rendering properties of light sources

All technical data is subject to industrially standard tolerances.
Also see www.erco.com/erco-led

Accessories



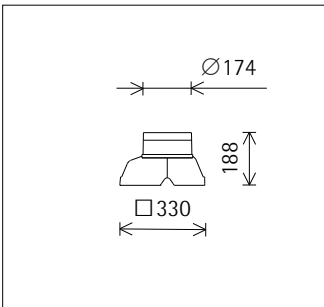
33958.000
Coupling sleeve
for max. 16mm cable diameter.
Polymer conduit, two-part PUR-cast resin.
ø 26mm, L 180mm.



33959.000
Branching sleeve
for 8-23mm cable diameter.
Polymer shell, two-part PUR cast resin.
L 150mm, B 70mm, H 46mm.



33298.000
Recessed housing
Polymer, black.
4 cable entries.
Load: 20kN.
Weight 1.10kg



33296.000
Mounting kit
Mounting in hollow floors.
3 mounting brackets: stainless steel.
Clamp extension 11-46mm.
Load: 20kN.
Floor aperture:
Size 3: ø 164mm
Size 4: ø 193mm

