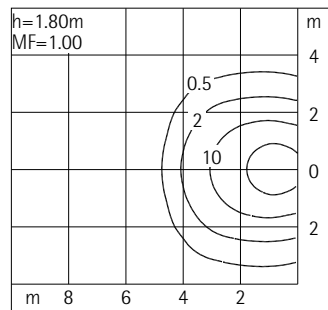
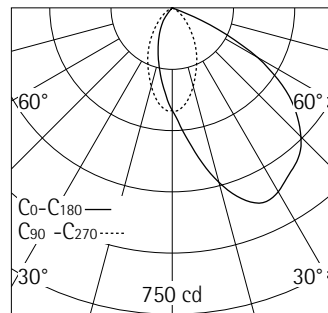


**33531.000** Graphit m  
 LED 6W 825lm 4000K neutral white  
 Switchable  
 Version 9  
 Spherolit lens, deep beam

**Product description**  
 Housing and wall plate: corrosion-resistant cast aluminium, No-Rinse surface treatment. Double powder-coated. Optimised surface for reduced accumulation of dirt.  
 Control gear. 2 cable entries. Through-wiring possible. 3-pole terminal block.  
 LED module: high-power LEDs on metal-core PCB. Collimating lens made of optical polymer.  
 Non-reflective safety glass.  
 Protection mode IP65: dust-proof and water jet-proof.  
 Weight 1.50kg  
 Housing temperature 34°C  
 Version with 3000K CRI 95 or 2700K, 3500K, 4000K CRI 92 available on request.



**Technical data**

Luminous flux of the luminaire	500lm
Connected load	8.2W
Luminaire efficacy	61lm/W
Colour deviation	1.5 SDCM
Colour rendition index	CRI 82
Lumen maintenance (LED manufacturer specifications)	L90/B10 ≤50000h L90 ≤100000h
LED failure rate	0.1% ≤50000h
Dimming range	--
Dimming method	--
LMF	E
Energy efficiency class	EEI A++
Standby power per control gear	--
Luminaires per circuit breaker B16	27
Temperature on the light aperture	35°C

For your regional contact in the ERCO  
 Sales network click here  
[www.ercos.com/contact](http://www.ercos.com/contact)

Technical Region: 220V-240V/50Hz  
 We reserve the right to make technical and design changes.  
 Edition: 21.02.2019  
 Current version under  
[www.ercos.com/33531.000](http://www.ercos.com/33531.000)

## Planning data

Cleaning (a)	1				2				3			
	P	C	N	D	P	C	N	D	P	C	N	D
LMF	0.96	0.94	0.90	0.86	0.93	0.91	0.86	0.81	0.92	0.90	0.84	0.79
RSMF	0.97	0.95	0.91	0.86	0.97	0.94	0.90	0.86	0.97	0.94	0.90	0.86

Hours of operation (h)	1000	5000	10000	20000	30000	40000	50000
LLMF	1.00	0.99	0.98	0.96	0.94	0.92	0.90
LSF	1	1	1	1	1	1	1

- MF LMFxRSMFxLLMFxLSF
- MF Maintenance Factor
- LMF Luminaire Maintenance Factor
- RSMF Room Surface Maintenance Factor
- LLMF Lamp Lumens Maintenance Factor
- LSF Lamp Survival Factor
- P Room pure
- C Room clean
- N Room normal
- D Room dirty

### Technical data in accordance with international norms and standards

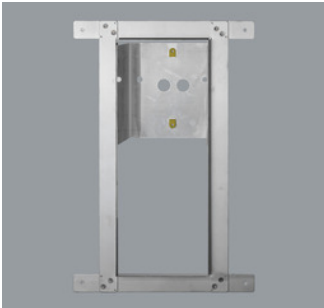
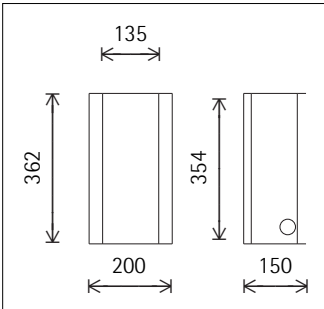
- IEC 60598 Luminaires – Part 1+2: general requirements, specific requirements and tests
- IEC 62031 LED modules for general lighting – safety requirements
- IEC 62471 Photobiological safety of lamps and lamp systems
- EN 13032-4 Light and lighting – measurement and representation of photometric data
- CIE 13 Method of measuring and specifying colour rendering properties of light sources

All technical data is subject to industrially standard tolerances.  
 Also see [www.erco.com/erco-led](http://www.erco.com/erco-led)

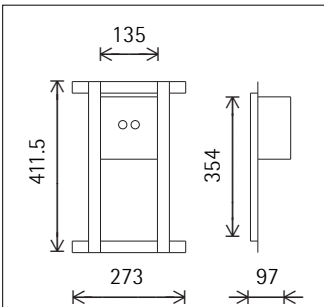
## Accessories



**33524.000**  
 Concrete housing  
 Metal, hot-dip galvanised.  
 2 cable entries.  
 Recommended 0-8mm aggregate for the concrete.  
 Weight 3.50kg  
 Only in conjunction with 33525.000



**33526.000**  
 Recessed housing for recessed mounting in brickwork.  
 Stainless steel.  
 2 cable entries.  
 Recessed mounting plate to be ordered separately.  
 Weight 1.00kg  
 Only in conjunction with 33525.000



**33525.000**  
 Recessed cassette for concrete housings and housings for recessed mounting.  
 Metal, graphite, powder-coated.  
 2 cable entries.  
 Concrete housings and housings for recessed mounting to be ordered separately.  
 Weight 0.39kg

