

35498.000 Graphit m
LED 12W 1260lm 3000K warm white
DALI
Version 4
Spherolit lens, wallwash

Product description
Housing and hinge: corrosion-resistant cast aluminium, No-Rinse surface treatment. Double powder-coated. Optimised surface for reduced accumulation of dirt. 90° tilt, 360° rotation. Hinge with scaling and inner cable routing.
Mounting plate: polymer, coated.
ERCO DALI control gear. 2 cable entries. 5-pole terminal block.
LED module: high-power LEDs on metal-core PCB. Collimating lens made of optical polymer.
Luminaire head with non-reflective safety glass: corrosion-resistant cast aluminium, double powder-coated. Internal anti-glare cone, polymer, black lacquered.
Protection mode IP65: dust-proof and water jet-proof.
Protection Class II
Weight 2.55kg
Maximum wind load area 0.03m²
Version with 3000K CRI 95 or 2700K, 3500K, 4000K CRI 92 available on request.

Technical data

Luminous flux of the luminaire	980lm
Connected load	15.0W
Luminaire efficacy	65lm/W
Colour deviation	1.5 SDCM
Colour rendition index	CRI 92
Lumen maintenance (LED manufacturer specifications)	L90/B10 ≤50000h L90 ≤100000h
LED failure rate	0.1% ≤50000h
Dimming range	0.1%-100%
Dimming method	CCR
LMF	E
Energy efficiency class	EEI A+
Standby power per control gear	0.4W
Luminaires per circuit breaker B16	205

For your regional contact in the ERCO
Sales network click here
www.erco.com/contact

Technical Region: 220V-240V/50Hz
We reserve the right to make technical and design changes.
Edition: 01.04.2019
Current version under
www.erco.com/35498.000

Planning data

Illuminance E_n (lx)

Specifications:

Number of luminaires $n > 5$

Wall height (m) 4.0

Angle of tilt 35°

LED 12W 1260lm 3000K warm white

Offset from wall (m)	1.25		1.50		1.75	
	1.50		2.00		2.00	
Luminaire spacing (m)	below the luminaire	between the luminaires	below the luminaire	between the luminaires	below the luminaire	between the luminaires
0.500	70	74	39	40	29	32
0.750	117	112	63	59	44	47
1.000	158	144	92	75	62	62
1.250	167	169	109	87	79	75
1.500	162	177	110	97	87	87
1.750	160	173	107	102	87	95
2.000	158	166	106	101	85	97
2.250	154	159	105	98	85	96
2.500	144	149	103	96	85	93
2.750	130	136	98	93	83	90
3.000	116	122	93	89	82	87
3.250	101	108	85	83	79	84
3.500	87	93	77	76	75	80

Cleaning (a)	1				2				3			
	P	C	N	D	P	C	N	D	P	C	N	D
Ambient conditions	0.96	0.94	0.90	0.86	0.93	0.91	0.86	0.81	0.92	0.90	0.84	0.79
LMF	0.96	0.94	0.90	0.86	0.93	0.91	0.86	0.81	0.92	0.90	0.84	0.79
RSMF	0.99	0.97	0.95	0.92	0.98	0.97	0.95	0.92	0.98	0.97	0.95	0.92

Hours of operation (h)	1000	5000	10000	20000	30000	40000	50000
LLMF	1.00	0.99	0.98	0.96	0.94	0.92	0.90
LSF	1	1	1	1	1	1	1

- MF LMFxRSMFxLLMFxLSF
- MF Maintenance Factor
- LMF Luminaire Maintenance Factor
- RSMF Room Surface Maintenance Factor
- LLMF Lamp Lumens Maintenance Factor
- LSF Lamp Survival Factor
- P Room pure
- C Room clean
- N Room normal
- D Room dirty

Technical data in accordance with international norms and standards

- IEC 60598 Luminaires – Part 1+2: general requirements, specific requirements and tests
- IEC 62031 LED modules for general lighting – safety requirements
- IEC 62471 Photobiological safety of lamps and lamp systems
- EN 13032-4 Light and lighting – measurement and representation of photometric data
- CIE 13 Method of measuring and specifying colour rendering properties of light sources

All technical data is subject to industrially standard tolerances.

Also see www.erco.com/erco-led

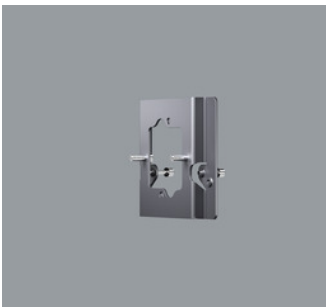
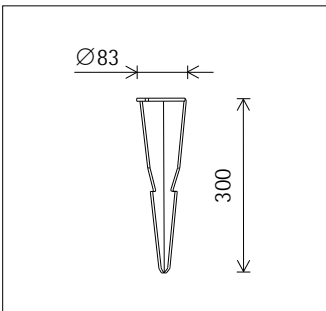
Accessories



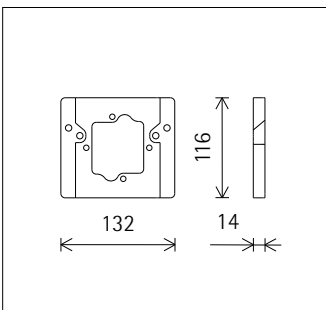
34974.000
Distribution box, IP68
With four cable entries, 7-25mm.
Polymer.
ø 102mm, L 305mm.
Weight 0.47kg
CE IP 68 3m



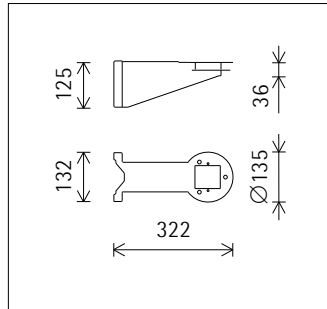
35719.000
Ground spike
Metal, hot-dip galvanised.
Weight 1.10kg



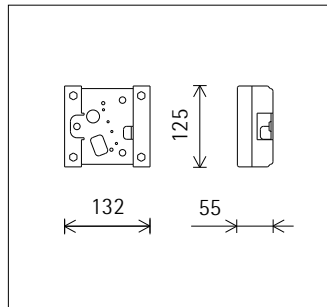
35718.000
Adapter piece
for mounting on cantilever arm or
attachment
Stainless steel, graphit m coated.
Cantilever arm or attachment to be
ordered separately.
Weight 0.21kg



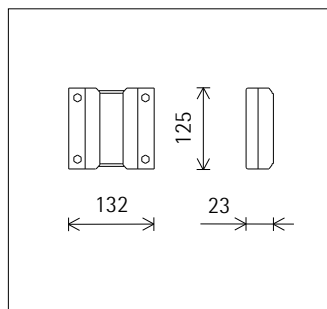
34955.000
Cantilever arm
for standing luminaire installation on
upright supporting pole ø 60-89mm or
wall.
Housing: stainless steel. Graphit m,
powder-coated.
Clamping plate or second cantilever
arm for fixing on upright supporting
pole to be ordered separately.
Upright supporting pole ø 60-89mm to
be ordered separately.
Weight 2.20kg
Only in conjunction with
35718.000



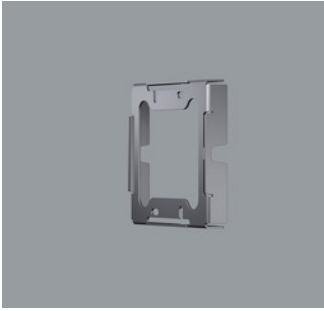
34953.000
Attachment
for upright supporting pole
ø 60-89mm.
Housing: stainless steel. Graphit m,
powder-coated.
Clamping plate or second attachment
for fixing to be ordered separately.
Upright supporting pole ø 60-89mm to
be ordered separately.
Weight 1.00kg
Only in conjunction with
35718.000



34954.000
Clamping plate
for fixing cantilever arm or attachment
on upright supporting pole ø 60-
89mm.
Housing: stainless steel. Graphit m,
powder-coated.
Cantilever arm or attachment to be
ordered separately.
Weight 0.80kg
Only in conjunction with
34953.000
34955.000



Accessories



35717.000
Spacer
Stainless steel, graphite m coated.
Weight 0.24kg

