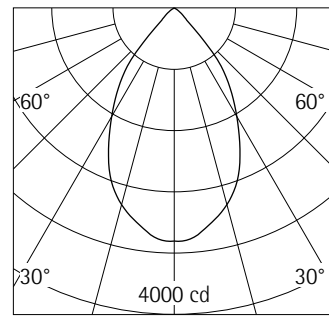


80017.000 White (RAL9016)
 LED 28W 3690lm 4000K neutral white
 DALI
 Version 4
 Covered mounting detail
 Lens system, wide flood

Product description
 Housing: cast aluminium, designed as heat sink, with connection cable L 500mm. Fixing springs for ceiling thicknesses of 1-40mm. Includes ERCO DALI control gear. 4-pole terminal block.
 LED module: high-power LEDs on metal-core PCB. Lens system made of optical polymer.
 Anti-glare cone with covered mounting detail: polymer, white (RAL9016). Optical cut-off 30°.
 The luminaire is splash water-protected on the room side.
 Dimming possible via commercially available push-buttons (Push Dim).
 Protection Class II
 Weight 1.20kg
 Version with 3000K CRI 95 or 2700K, 3500K, 4000K CRI 92 available on request.



Beam angle
 C₀ 63°

Technical data

Luminous flux of the luminaire	3146lm
Connected load	36.0W
Luminaire efficacy	87lm/W
Colour deviation	1.5 SDCM
Colour rendition index	CRI 82
Lumen maintenance (LED manufacturer specifications)	L90/B10 ≤50000h L90 ≤100000h
LED failure rate	0.1% ≤50000h
Dimming range	0.1%-100%
Dimming method	CCR
LMF	E
Energy efficiency class	EEI A+
Standby power per control gear	0.3W
Luminaires per circuit breaker B16	28

For your regional contact in the ERCO
 Sales network click here
www.erco.com/contact

Technical Region: 220V-240V/50Hz
 We reserve the right to make technical and design changes.
 Edition: 21.02.2019
 Current version under
www.erco.com/80017.000

Planning data

80017.000	LED 28W 3690lm 4000K neutral white
Connected load	P: 36 W
Connected load per 100lx	P*: 1.1 W/m ²
Number of luminaires per 100lx	n*: 2.9 1/100m ²

80017.000	LED 28W 3690lm 4000K neutral white			
Number of luminaires per 100m ² for	100lx	200lx	300lx	500lx
	3	6	9	15

80017.000	LED 28W 3690lm 4000K neutral white			
Module (m)	1.2x1.8	1.8x1.8	1.8x2.4	2.4x2.4
Illuminance E _n (lx) for module (m)	1577	1052	789	592

Correction table

Ceiling	0.70	0.70	0.70	0.50	0
Wall	0.70	0.50	0.20	0.20	0
Floor	0.50	0.20	0.20	0.10	0

k	0.6	85	61	65	59	55
k	1.0	98	77	79	73	67
k	1.5	107	90	90	83	78
k	2.5	113	100	97	90	84
k	3.0	115	104	100	92	86

Cleaning (a)	1				2				3			
Ambient conditions	P	C	N	D	P	C	N	D	P	C	N	D
LMF	0.96	0.94	0.90	0.86	0.93	0.91	0.86	0.81	0.92	0.90	0.84	0.79
RSMF	0.97	0.95	0.91	0.86	0.97	0.94	0.90	0.86	0.97	0.94	0.90	0.86

Hours of operation (h)	1000	5000	10000	20000	30000	40000	50000
LLMF	1.00	0.99	0.98	0.96	0.94	0.92	0.90
LSF	1	1	1	1	1	1	1

MF	LMFxRSMFxLLMFxLSF
MF	Maintenance Factor
LMF	Luminaire Maintenance Factor
RSMF	Room Surface Maintenance Factor
LLMF	Lamp Lumens Maintenance Factor
LSF	Lamp Survival Factor
P	Room pure
C	Room clean
N	Room normal
D	Room dirty

Technical data in accordance with international norms and standards

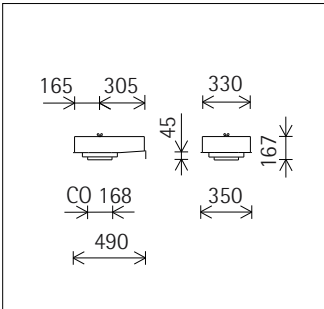
IEC 60598	Luminaires – Part 1+2: general requirements, specific requirements and tests
IEC 62031	LED modules for general lighting – safety requirements
IEC 62471	Photobiological safety of lamps and lamp systems
EN13032-4	Light and lighting – measurement and representation of photometric data
CIE 13	Method of measuring and specifying colour rendering properties of light sources

All technical data is subject to industrially standard tolerances.
Also see www.erco.com/erco-led

Accessories



83740.000
 Concrete housing
 Stainless steel, galvanised/powder-coated.
 Recommended 0-8mm aggregate for the concrete.
 Weight 6.10kg



88290.000
 Compensation set
 For over-large ceiling aperture.
 Lock ring: steel sheet, galvanised.
 Mounting for ceiling thicknesses of 15-25mm.
 Cover ring: metal, white.
 When ordering state ceiling aperture of the luminaire and diameter of the available ceiling aperture.



83980.000
 Cover ring
 Metal, white. For covering the gap where ceiling cut-outs are too big.
 Inner and outer diameter to be specified when placing order.