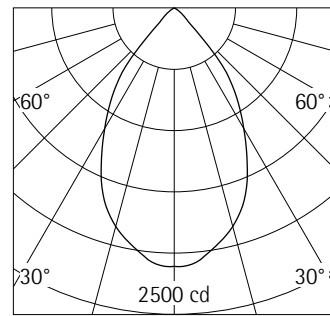


**80019.000** White (RAL9016)  
 LED 18W 2475lm 4000K neutral white  
 DALI  
 Version 4  
 Covered mounting detail  
 Lens system, wide flood

**Product description**  
 Housing: cast aluminium, designed as heat sink, with connection cable L 500mm. Fixing springs for ceiling thicknesses of 1-40mm. Includes ERCO DALI control gear. 4-pole terminal block.  
 LED module: high-power LEDs on metal-core PCB. Lens system made of optical polymer.  
 Anti-glare cone with covered mounting detail: polymer, white (RAL9016). Optical cut-off 30°.  
 The luminaire is splash water-protected on the room side.  
 Dimming possible via commercially available push-buttons (Push Dim).  
 Protection Class II  
 Weight 1.20kg  
 Version with 3000K CRI 95 or 2700K, 3500K, 4000K CRI 92 available on request.



Beam angle  
 C<sub>0</sub> 63°

UGR glare evaluation  
 C<sub>0</sub> 18.0

**Technical data**

Luminous flux of the luminaire	2186lm
Connected load	24.0W
Luminaire efficacy	91lm/W
Colour deviation	1.5 SDCM
Colour rendition index	CRI 82
Lumen maintenance (LED manufacturer specifications)	L90/B10 ≤50000h L90 ≤100000h
LED failure rate	0.1% ≤50000h
Dimming range	0.1%-100%
Dimming method	CCR
LMF	E
Energy efficiency class	EEI A++
Standby power per control gear	0.3W
Luminaires per circuit breaker B16	28

For your regional contact in the ERCO  
 Sales network click here  
[www.erco.com/contact](http://www.erco.com/contact)

Technical Region: 220V-240V/50Hz  
 We reserve the right to make technical and design changes.  
 Edition: 21.02.2019  
 Current version under  
[www.erco.com/80019.000](http://www.erco.com/80019.000)

## Planning data

80019.000 LED 18W 2475lm 4000K neutral white  
 Connected load P: 24 W  
 Connected load per 100lx P\*: 1.0 W/m<sup>2</sup>  
 Number of luminaires per 100lx n\*: 4.2 1/100m<sup>2</sup>

80019.000 LED 18W 2475lm 4000K neutral white  
 Number of luminaires per 100m<sup>2</sup> for 100lx 200lx 300lx 500lx  
 5 9 13 22

80019.000 LED 18W 2475lm 4000K neutral white  
 Module (m) 1.2x1.8 1.8x1.8 1.8x2.4 2.4x2.4  
 Illuminance E<sub>n</sub> (lx) for module (m) 1096 731 548 411

### Correction table

Ceiling	0.70	0.70	0.70	0.50	0
Wall	0.70	0.50	0.20	0.20	0
Floor	0.50	0.20	0.20	0.10	0

k	0.6	85	61	65	59	55
k	1.0	98	77	79	73	67
k	1.5	107	90	90	83	78
k	2.5	113	100	97	90	84
k	3.0	115	104	100	92	86

Cleaning (a)	1				2				3			
	P	C	N	D	P	C	N	D	P	C	N	D
Ambient conditions												
LMF	0.96	0.94	0.90	0.86	0.93	0.91	0.86	0.81	0.92	0.90	0.84	0.79
RSMF	0.97	0.95	0.91	0.86	0.97	0.94	0.90	0.86	0.97	0.94	0.90	0.86

Hours of operation (h)	1000	5000	10000	20000	30000	40000	50000
LLMF	1.00	0.99	0.98	0.96	0.94	0.92	0.90
LSF	1	1	1	1	1	1	1

MF LMFxRSMFxLLMFxLSF  
 MF Maintenance Factor  
 LMF Luminaire Maintenance Factor  
 RSMF Room Surface Maintenance Factor  
 LLMF Lamp Lumens Maintenance Factor  
 LSF Lamp Survival Factor  
 P Room pure  
 C Room clean  
 N Room normal  
 D Room dirty

### Technical data in accordance with international norms and standards

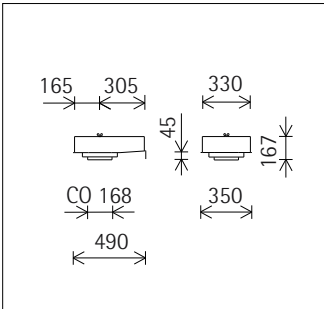
IEC 60598 Luminaires – Part 1+2: general requirements, specific requirements and tests  
 IEC 62031 LED modules for general lighting – safety requirements  
 IEC 62471 Photobiological safety of lamps and lamp systems  
 EN13032-4 Light and lighting – measurement and representation of photometric data  
 CIE 13 Method of measuring and specifying colour rendering properties of light sources

All technical data is subject to industrially standard tolerances.  
 Also see [www.erco.com/erco-led](http://www.erco.com/erco-led)

## Accessories



**83740.000**  
 Concrete housing  
 Stainless steel, galvanised/powder-coated.  
 Recommended 0-8mm aggregate for the concrete.  
 Weight 6.10kg



**88290.000**  
 Compensation set  
 For over-large ceiling aperture.  
 Lock ring: steel sheet, galvanised.  
 Mounting for ceiling thicknesses of 15-25mm.  
 Cover ring: metal, white.  
 When ordering state ceiling aperture of the luminaire and diameter of the available ceiling aperture.



**83980.000**  
 Cover ring  
 Metal, white. For covering the gap where ceiling cut-outs are too big.  
 Inner and outer diameter to be specified when placing order.