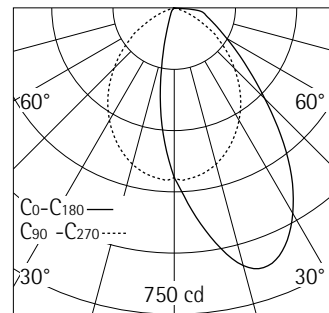


84129.000
 LED 8W 1100lm 4000K neutral white
 DALI
 Version 5
 Covered mounting detail
 Lens system, wallwash

Product description
 Housing: cast aluminium, designed as heat sink, with connection cable L 500mm. Fixing ring: polymer, black.
 Mounting ring: Polymer, white (RAL9002). Expanding spring fixing for ceiling thicknesses of 1-25mm.
 Includes ERCO DALI control gear. 4-pole terminal block.
 LED module: high-power LEDs on metal-core PCB. Lens system made of optical polymer.
 Wallwasher reflector: polymer, aluminium vaporised, silver, ribbed, with lower diffuser. Optical cut-off 30°. Recess depth 90mm for DALI control gear.
 Dimming possible via commercially available push-buttons (Push Dim).
 Protection Class II
 Weight 0.55kg
 Version with 3000K CRI 95 or 2700K, 3500K, 4000K CRI 92 available on request.



Technical data

Luminous flux of the luminaire	773lm
Connected load	12.0W
Luminaire efficacy	64lm/W
Colour deviation	1.5 SDCM
Colour rendition index	CRI 82
Lumen maintenance (LED manufacturer specifications)	L90/B10 ≤50000h L90 ≤100000h
LED failure rate	0.1% ≤50000h
Dimming range	0.1%-100%
Dimming method	CCR
LMF	E
Energy efficiency class	EEI A++
Standby power per control gear	0.4W
Luminaires per circuit breaker B16	260

For your regional contact in the ERCO
 Sales network click here
www.erco.com/contact

Technical Region: 220V-240V/50Hz
 We reserve the right to make technical and design changes.
 Edition: 21.02.2019
 Current version under
www.erco.com/84129.000

Planning data

Illuminance E_n (lx)

Specifications:

Number of luminaires $n > 5$

Wall height (m) 3.0

LED 8W 1100lm 4000K neutral white

Offset from wall (m)	0.90		1.20	
	below the luminaire	between the luminaires	below the luminaire	between the luminaires
Luminaire spacing (m)	0.90		1.20	
0.250	125	114	64	59
0.500	175	165	84	78
0.750	220	210	106	100
1.000	244	233	124	118
1.250	237	229	135	130
1.500	211	206	138	132
1.750	180	176	130	126
2.000	150	147	119	116
2.250	123	121	106	103
2.500	101	99	92	91
2.750	83	82	80	79

Cleaning (a)	1				2				3			
	P	C	N	D	P	C	N	D	P	C	N	D
LMF	0.96	0.94	0.90	0.86	0.93	0.91	0.86	0.81	0.92	0.90	0.84	0.79
RSMF	0.97	0.95	0.91	0.86	0.97	0.94	0.90	0.86	0.97	0.94	0.90	0.86

Hours of operation (h)	1000	5000	10000	20000	30000	40000	50000
LLMF	1.00	0.99	0.98	0.96	0.94	0.92	0.90
LSF	1	1	1	1	1	1	1

MF	LMFxRSMF _x LLMF _x LSF
MF	Maintenance Factor
LMF	Luminaire Maintenance Factor
RSMF	Room Surface Maintenance Factor
LLMF	Lamp Lumens Maintenance Factor
LSF	Lamp Survival Factor
P	Room pure
C	Room clean
N	Room normal
D	Room dirty

Technical data in accordance with international norms and standards

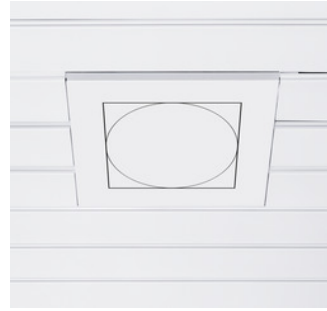
IEC 60598	Luminaires – Part 1+2: general requirements, specific requirements and tests
IEC 62031	LED modules for general lighting – safety requirements
IEC 62471	Photobiological safety of lamps and lamp systems
EN 13032-4	Light and lighting – measurement and representation of photometric data
CIE 13	Method of measuring and specifying colour rendering properties of light sources

All technical data is subject to industrially standard tolerances.
Also see www.erco.com/erco-led

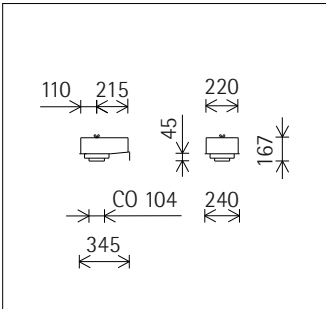
Accessories



83736.000
Concrete housing
Stainless steel, galvanised/powder-coated.
Recommended 0-8mm aggregate for the concrete.
Weight 3.35kg



82950.000
Mounting plate for panelled ceilings
Metal, white (RAL9002) powder-coated.
Individual design of mounting plates according to ceiling type and luminaire.
Quote ceiling type and dimensions.



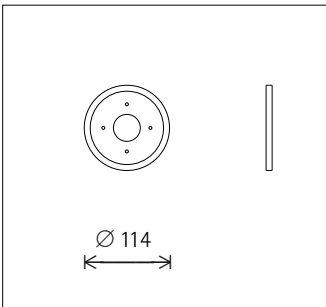
88290.000
Compensation set
For over-large ceiling aperture.
Lock ring: steel sheet, galvanised.
Mounting for ceiling thicknesses of 15-25mm.
Cover ring: metal, white.
When ordering state ceiling aperture of the luminaire and diameter of the available ceiling aperture.



83577.000
Spacer plate
Aluminium.
For flush-mounting of downlights in concrete housings in exposed concrete ceilings.
Weight 0.04kg



83980.000
Cover ring
Metal, white. For covering the gap where ceiling cut-outs are too big.
Inner and outer diameter to be specified when placing order.



82935.000
Mounting ring
For flush mounting of luminaires with ceiling aperture \varnothing 104mm.
Polymer, white (RAL9002). Mounting for ceiling thicknesses of 12.5-25mm.
The recess depth of the luminaire increases by 2mm.
Weight 0.10kg

