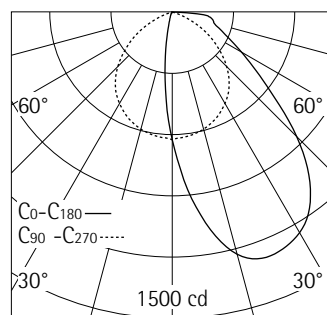


### 84134.000

LED 16W 2200lm 4000K neutral white  
DALI  
Version 5  
Covered mounting detail  
Lens system, wallwash

### Product description

Housing: cast aluminium, designed as heat sink, with connection cable L 500mm. Fixing ring: polymer, black. Mounting ring: Polymer, white (RAL9002). Expanding spring fixing for ceiling thicknesses of 1-25mm. Includes ERCO DALI control gear. 4-pole terminal block.  
LED module: high-power LEDs on metal-core PCB. Lens system made of optical polymer.  
Wallwasher reflector: polymer, aluminium vaporised, silver, ribbed, with lower diffuser. Optical cut-off 40°. Dimming possible via commercially available push-buttons (Push Dim). Protection Class II  
Weight 0.82kg  
Version with 3000K CRI 95 or 2700K, 3500K, 4000K CRI 92 available on request.



### Technical data

|   |                                 |
|---|---------------------------------|
| Luminous flux of the luminaire                      | 1578lm                          |
| Connected load                                      | 22.0W                           |
| Luminaire efficacy                                  | 72lm/W                          |
| Colour deviation                                    | 1.5 SDCM                        |
| Colour rendition index                              | CRI 82                          |
| Lumen maintenance (LED manufacturer specifications) | L90/B10 ≤50000h<br>L90 ≤100000h |
| LED failure rate                                    | 0.1% ≤50000h                    |
| Dimming range                                       | 0.1%-100%                       |
| Dimming method                                      | CCR                             |
| LMF   | E                               |
| Energy efficiency class                             | EEI A++                         |
| Standby power per control gear                      | 0.3W                            |
| Luminaires per circuit breaker B16                  | 28                              |

For your regional contact in the ERCO  
Sales network click here  
[www.erco.com/contact](http://www.erco.com/contact)

Technical Region: 220V-240V/50Hz  
We reserve the right to make technical and design changes.  
Edition: 21.02.2019  
Current version under  
[www.erco.com/84134.000](http://www.erco.com/84134.000)

## Planning data

### Illuminance $E_n$ (lx)

Specifications:

Number of luminaires  $n > 5$

Wall height (m) 4.0

LED 16W 2200lm 4000K neutral white

| Offset from wall (m)<br>Luminaire spacing (m) | 1.50                |                        | 1.50                |                        | 1.80                |                        |
|---|---------------------|------------------------|---------------------|------------------------|---------------------|------------------------|
|   | below the luminaire | between the luminaires | below the luminaire | between the luminaires | below the luminaire | between the luminaires |
| 0.500   | 123                 | 113                    | 108                 | 89                     | 80                  | 73                     |
| 0.750   | 155                 | 146                    | 135                 | 117                    | 96                  | 89                     |
| 1.000   | 188                 | 178                    | 163                 | 143                    | 116                 | 109                    |
| 1.250   | 214                 | 202                    | 185                 | 165                    | 134                 | 127                    |
| 1.500   | 230                 | 216                    | 198                 | 177                    | 149                 | 140                    |
| 1.750   | 228                 | 217                    | 195                 | 180                    | 159                 | 149                    |
| 2.000   | 213                 | 209                    | 182                 | 174                    | 160                 | 151                    |
| 2.250   | 193                 | 192                    | 165                 | 161                    | 154                 | 149                    |
| 2.500   | 172                 | 171                    | 147                 | 145                    | 144                 | 141                    |
| 2.750   | 152                 | 151                    | 130                 | 129                    | 132                 | 131                    |
| 3.000   | 133                 | 132                    | 114                 | 113                    | 119                 | 119                    |
| 3.250   | 117                 | 115                    | 101                 | 100                    | 108                 | 107                    |
| 3.500   | 102                 | 101                    | 89                  | 88                     | 97                  | 96                     |

| Cleaning (a)<br>Ambient conditions | 1    |      |      |      | 2    |      |      |      | 3    |      |      |      |
|------------------------------------|------|------|------|------|------|------|------|------|------|------|------|------|
|                                    | P    | C    | N    | D    | P    | C    | N    | D    | P    | C    | N    | D    |
| LMF                                | 0.96 | 0.94 | 0.90 | 0.86 | 0.93 | 0.91 | 0.86 | 0.81 | 0.92 | 0.90 | 0.84 | 0.79 |
| RSMF                               | 0.97 | 0.95 | 0.91 | 0.86 | 0.97 | 0.94 | 0.90 | 0.86 | 0.97 | 0.94 | 0.90 | 0.86 |

| Hours of operation (h) | 1000 | 5000 | 10000 | 20000 | 30000 | 40000 | 50000 |
|------------------------|------|------|-------|-------|-------|-------|-------|
| LLMF                   | 1.00 | 0.99 | 0.98  | 0.96  | 0.94  | 0.92  | 0.90  |
| LSF                    | 1    | 1    | 1     | 1     | 1     | 1     | 1     |

- MF LMFxRSMFxLLMFxLSF
- MF Maintenance Factor
- LMF Luminaire Maintenance Factor
- RSMF Room Surface Maintenance Factor
- LLMF Lamp Lumens Maintenance Factor
- LSF Lamp Survival Factor
- P Room pure
- C Room clean
- N Room normal
- D Room dirty

### Technical data in accordance with international norms and standards

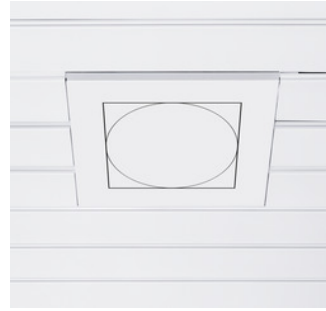
- IEC 60598 Luminaires – Part 1+2: general requirements, specific requirements and tests
- IEC 62031 LED modules for general lighting – safety requirements
- IEC 62471 Photobiological safety of lamps and lamp systems
- EN 13032-4 Light and lighting – measurement and representation of photometric data
- CIE 13 Method of measuring and specifying colour rendering properties of light sources

All technical data is subject to industrially standard tolerances.  
Also see [www.erc.com/erc-co-led](http://www.erc.com/erc-co-led)

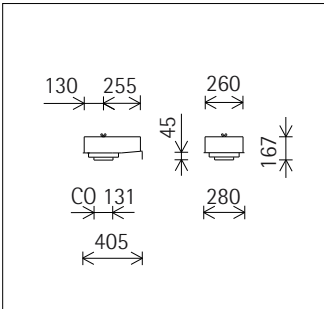
## Accessories



**83738.000**  
 Concrete housing  
 Stainless steel, galvanised/powder-coated.  
 Recommended 0-8mm aggregate for the concrete.  
 Weight 4.35kg



**82950.000**  
 Mounting plate for panelled ceilings  
 Metal, white (RAL9002) powder-coated.  
 Individual design of mounting plates according to ceiling type and luminaire.  
 Quote ceiling type and dimensions.



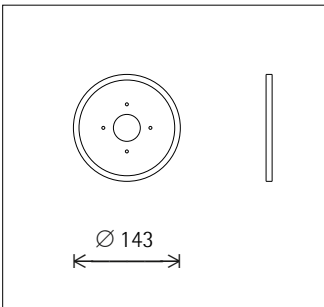
**88290.000**  
 Compensation set  
 For over-large ceiling aperture.  
 Lock ring: steel sheet, galvanised.  
 Mounting for ceiling thicknesses of 15-25mm.  
 Cover ring: metal, white.  
 When ordering state ceiling aperture of the luminaire and diameter of the available ceiling aperture.



**83595.000**  
 Spacer plate  
 Aluminium.  
 For flush-mounting of downlights in concrete housings in exposed concrete ceilings.  
 Weight 0.07kg



**83980.000**  
 Cover ring  
 Metal, white. For covering the gap where ceiling cut-outs are too big.  
 Inner and outer diameter to be specified when placing order.



**82936.000**  
 Mounting ring  
 For flush mounting of luminaires with ceiling aperture  $\varnothing 131$ mm.  
 Polymer, white (RAL9002). Mounting for ceiling thicknesses of 12.5-25mm.  
 The recess depth of the luminaire increases by 2mm.  
 Weight 0.10kg

