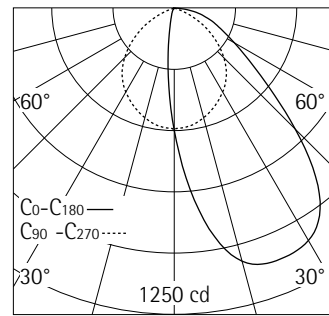


84557.000 Graphit m
 LED 16W 1680lm 3000K warm white
 Phase dimmable
 Version 5
 Lens system, wallwash

Product description
 Cylinder and ceiling fixture: corrosion-resistant cast aluminium, No-Rinse surface treatment. Double powder-coated. Tamper-proof screw. Control gear, dimmable. 2 cable entries. Through-wiring possible. 3 terminals. LED module: high-power LEDs on metal-core PCB. Lens system made of optical polymer. Wallwasher reflector: polymer, aluminium vaporised, silver, ribbed, with lower diffuser. Optical cut-off 40°. Non-reflective safety glass. Dimming with external dimmers possible (trailing edge). Protection mode IP65: dust-proof and water jet-proof. Weight 3.50kg. Version with 3000K CRI 95 or 2700K, 3500K, 4000K CRI 92 available on request.



Technical data

Luminous flux of the luminaire	1225lm
Connected load	19.0W
Luminaire efficacy	64lm/W
Colour deviation	1.5 SDCM
Colour rendition index	CRI 92
Lumen maintenance (LED manufacturer specifications)	L90/B10 ≤50000h L90 ≤100000h
LED failure rate	0.1% ≤50000h
Dimming range	10%-100%
Dimming method	CCR
LMF	E
Energy efficiency class	EEI A+
Standby power per control gear	--
Luminaires per circuit breaker B16	65

For your regional contact in the ERCO
 Sales network click here
www.erco.com/contact

Technical Region: 220V-240V/50Hz
 We reserve the right to make technical and design changes.
 Edition: 21.02.2019
 Current version under
www.erco.com/84557.000

Planning data

Illuminance E_n (lx)

Specifications:

Number of luminaires $n > 5$

Wall height (m) 4.0

LED 16W 1680lm 3000K warm white

Offset from wall (m)	1.20		1.20		1.50		1.50	
	below the luminaire	between the luminaires	below the luminaire	between the luminaires	below the luminaire	between the luminaires	below the luminaire	between the luminaires
Luminaire spacing (m)	1.20		1.50		1.50		1.80	
0.500	85	74	75	52	43	37	39	28
0.750	145	133	125	97	79	69	71	53
1.000	202	187	171	141	107	98	94	78
1.250	253	234	213	180	136	126	118	101
1.500	287	261	241	204	161	149	140	121
1.750	283	264	236	207	181	165	156	134
2.000	255	245	211	195	185	170	159	139
2.250	221	216	183	174	175	165	151	137
2.500	188	185	156	151	159	154	136	128
2.750	159	157	133	130	142	138	121	116
3.000	135	133	113	111	125	122	107	104
3.250	115	113	97	96	109	108	94	92
3.500	98	97	84	82	96	94	83	81

Cleaning (a)	1				2				3			
	P	C	N	D	P	C	N	D	P	C	N	D
Ambient conditions	0.96	0.94	0.90	0.86	0.93	0.91	0.86	0.81	0.92	0.90	0.84	0.79
LMF	0.97	0.95	0.91	0.86	0.97	0.94	0.90	0.86	0.97	0.94	0.90	0.86
RSMF												

Hours of operation (h)	1000	5000	10000	20000	30000	40000	50000
	LLMF	1.00	0.99	0.98	0.96	0.94	0.92
LSF	1	1	1	1	1	1	1

- MF LMFxRSMFxLLMFxLSF
- MF Maintenance Factor
- LMF Luminaire Maintenance Factor
- RSMF Room Surface Maintenance Factor
- LLMF Lamp Lumens Maintenance Factor
- LSF Lamp Survival Factor
- P Room pure
- C Room clean
- N Room normal
- D Room dirty

Technical data in accordance with international norms and standards

- IEC 60598 Luminaires – Part 1+2: general requirements, specific requirements and tests
- IEC 62031 LED modules for general lighting – safety requirements
- IEC 62471 Photobiological safety of lamps and lamp systems
- EN 13032-4 Light and lighting – measurement and representation of photometric data
- CIE 13 Method of measuring and specifying colour rendering properties of light sources

All technical data is subject to industrially standard tolerances.
Also see www.ercos.com/ercos-led