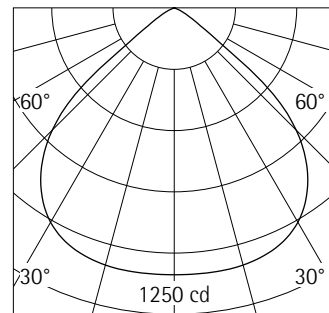


86379.000 White (RAL9010)
 LED 18W 2475lm 4000K neutral white
 DALI
 Version 4
 Lens system, extra wide flood

Product description
 Cylinder: cast aluminium, powder-coated. Ceiling fixture: metal. ERCO DALI control gear. 5-pole terminal block.
 LED module: high-power LEDs on metal-core PCB. Lens system made of optical polymer.
 Anti-glare cone: polymer, white (RAL9016). Optical cut-off 30°. Weight 2.15kg
 Version with 3000K CRI 95 or 2700K, 3500K, 4000K CRI 92 available on request.



Beam angle
 C₀ 98°

Technical data

Luminous flux of the luminaire	2230lm
Connected load	23.0W
Luminaire efficacy	97lm/W
Colour deviation	1.5 SDCM
Colour rendition index	CRI 82
Lumen maintenance (LED manufacturer specifications)	L90/B10 ≤50000h L90 ≤100000h
LED failure rate	0.1% ≤50000h
Dimming range	0.1%-100%
Dimming method	CCR
LMF	E
Energy efficiency class	EEI A++
Standby power per control gear	0.4W
Luminaires per circuit breaker B16	28

For your regional contact in the ERCO
 Sales network click here
www.erco.com/contact

Technical Region: 220V-240V/50Hz
 We reserve the right to make technical and design changes.
 Edition: 21.02.2019
 Current version under
www.erco.com/86379.000

Planning data

86379.000	LED 18W 2475lm 4000K neutral white
Connected load	P: 23 W
Connected load per 100lx	P*: 1.0 W/m ²
Number of luminaires per 100lx	n*: 4.4 1/100m ²

86379.000	LED 18W 2475lm 4000K neutral white			
Number of luminaires per 100m ² for	100lx	200lx	300lx	500lx
	5	9	14	22

86379.000	LED 18W 2475lm 4000K neutral white			
Module (m)	1.2x1.8	1.8x1.8	1.8x2.4	2.4x2.4
Illuminance E _n (lx) for module (m)	1063	709	532	399

Correction table

Ceiling	0.70	0.70	0.70	0.50	0
Wall	0.70	0.50	0.20	0.20	0
Floor	0.50	0.20	0.20	0.10	0

k	0.6	80	49	55	48	42
k	1.0	97	70	74	67	60
k	1.5	108	87	88	80	73
k	2.5	116	100	98	90	83
k	3.0	119	105	101	93	86

Cleaning (a)	1				2				3			
Ambient conditions	P	C	N	D	P	C	N	D	P	C	N	D
LMF	0.96	0.94	0.90	0.86	0.93	0.91	0.86	0.81	0.92	0.90	0.84	0.79
RSMF	0.97	0.95	0.91	0.86	0.97	0.94	0.90	0.86	0.97	0.94	0.90	0.86

Hours of operation (h)	1000	5000	10000	20000	30000	40000	50000
LLMF	1.00	0.99	0.98	0.96	0.94	0.92	0.90
LSF	1	1	1	1	1	1	1

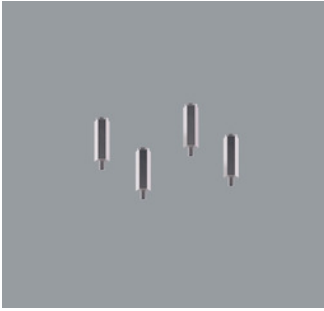
MF	LMFxRSMFxLLMFxLSF
MF	Maintenance Factor
LMF	Luminaire Maintenance Factor
RSMF	Room Surface Maintenance Factor
LLMF	Lamp Lumens Maintenance Factor
LSF	Lamp Survival Factor
P	Room pure
C	Room clean
N	Room normal
D	Room dirty

Technical data in accordance with international norms and standards

IEC 60598	Luminaires – Part 1+2: general requirements, specific requirements and tests
IEC 62031	LED modules for general lighting – safety requirements
IEC 62471	Photobiological safety of lamps and lamp systems
EN13032-4	Light and lighting – measurement and representation of photometric data
CIE 13	Method of measuring and specifying colour rendering properties of light sources

All technical data is subject to industrially standard tolerances.
Also see www.erco.com/erco-led

Accessories



86502.000
Spacer set
for surface-mounted cables.
Polymer, black.