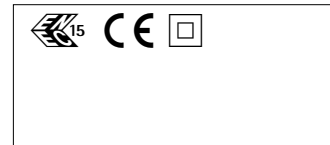
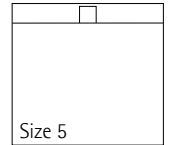
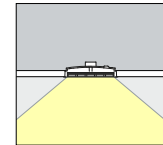
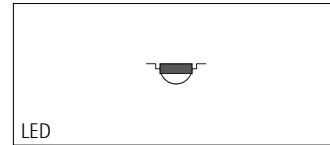
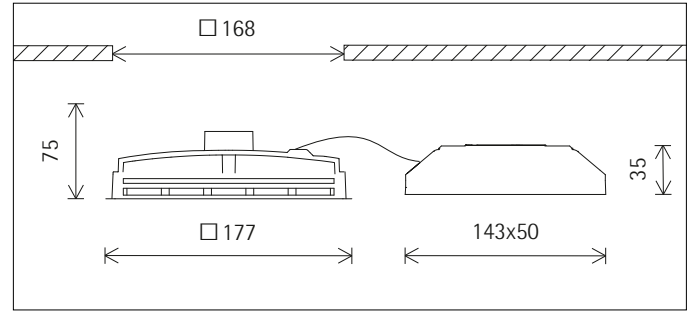
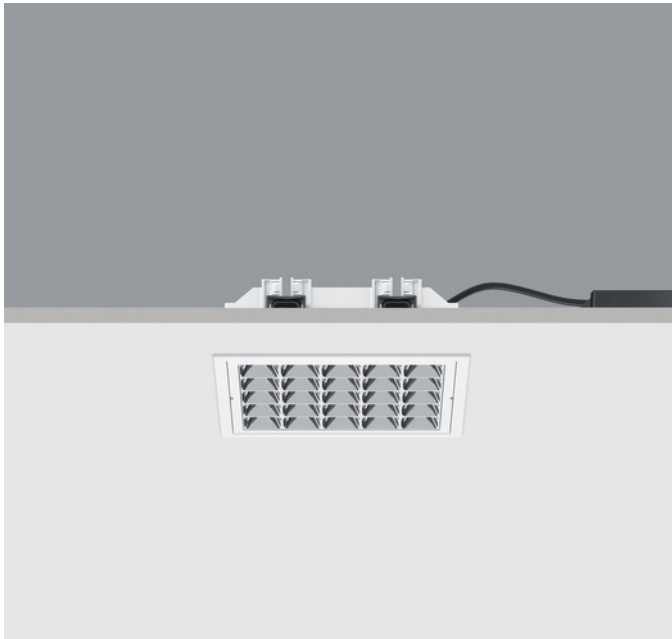
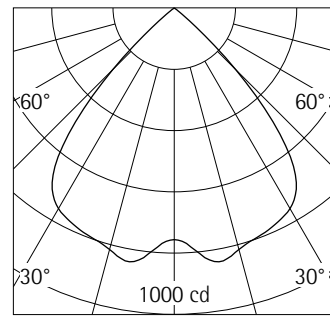


with silver louvre



**88070.000**  
 LED 10W 1500lm 4000K neutral white  
 DALI  
 Version 1  
 Covered mounting detail  
 Lens system, extra wide flood

**Product description**  
 Housing: polymer, with connection cable L 400mm.  
 Mounting frame: polymer, white (RAL9002). mounting for ceiling thicknesses of 1-30mm.  
 Includes ERCO DALI control gear. 4-pole terminal block.  
 LED module: mid-power LEDs. Lens system made of optical polymer.  
 Louvre: polymer, aluminium vaporised, silver, mirror-finish.  
 Dimming possible via commercially available push-buttons (Push Dim).  
 Protection Class II  
 Weight 0.70kg  
 Version with 2700K, 3000K, 3500K or 4000K CRI 92 available on request.



Beam angle  
 C<sub>0</sub> 85°  
 UGR glare evaluation  
 C<sub>0</sub> 18.5

Technical data	
Luminous flux of the luminaire	1329lm
Connected load	14.0W
Luminaire efficacy	95lm/W
Colour deviation	1.5 SDCM
Colour rendition index	CRI 82
Lumen maintenance (LED manufacturer specifications)	L80/B50 ≤50000h
LED failure rate	0.1% ≤50000h
Dimming range	0.1%-100%
Dimming method	CCR
LMF	E
Energy efficiency class	EEI A++
Standby power per control gear	0.4W
Luminaires per circuit breaker B16	240

For your regional contact in the ERCO  
 Sales network click here  
[www.erco.com/contact](http://www.erco.com/contact)

Technical Region: 220V-240V/50Hz  
 We reserve the right to make technical and design changes.  
 Edition: 21.02.2019  
 Current version under  
[www.erco.com/88070.000](http://www.erco.com/88070.000)

## Planning data

88070.000	LED 10W 1500lm 4000K neutral white
Connected load	P: 14 W
Connected load per 100lx	P*: 1.0 W/m <sup>2</sup>
Number of luminaires per 100lx	n*: 7.1 1/100m <sup>2</sup>

88070.000	LED 10W 1500lm 4000K neutral white
Number of luminaires per 100m <sup>2</sup> for	100lx    200lx    300lx    500lx
	8            15            22            36

88070.000	LED 10W 1500lm 4000K neutral white
Module (m)	1.2x1.8    1.8x1.8    1.8x2.4    2.4x2.4
Illuminance E <sub>n</sub> (lx) for module (m)	655        436        327        245

### Correction table

Ceiling	0.70	0.70	0.70	0.50	0
Wall	0.70	0.50	0.20	0.20	0
Floor	0.50	0.20	0.20	0.10	0

k	0.6	82	55	60	53	48
k	1.0	98	74	77	70	64
k	1.5	107	88	89	82	76
k	2.5	114	100	97	90	84
k	3.0	116	104	100	93	87

Cleaning (a)	1				2				3			
Ambient conditions	P	C	N	D	P	C	N	D	P	C	N	D
LMF	0.96	0.94	0.90	0.86	0.93	0.91	0.86	0.81	0.92	0.90	0.84	0.79
RSMF	0.97	0.95	0.91	0.86	0.97	0.94	0.90	0.86	0.97	0.94	0.90	0.86

Hours of operation (h)	1000	5000	10000	20000	30000	40000	50000
LLMF	0.99	0.97	0.95	0.92	0.88	0.84	0.81
LSF	1	1	1	1	1	1	1

MF	LMFxRSMFxLLMFxLSF
MF	Maintenance Factor
LMF	Luminaire Maintenance Factor
RSMF	Room Surface Maintenance Factor
LLMF	Lamp Lumens Maintenance Factor
LSF	Lamp Survival Factor
P	Room pure
C	Room clean
N	Room normal
D	Room dirty

### Technical data in accordance with international norms and standards

IEC 60598	Luminaires – Part 1+2: general requirements, specific requirements and tests
IEC 62031	LED modules for general lighting – safety requirements
IEC 62471	Photobiological safety of lamps and lamp systems
EN13032-4	Light and lighting – measurement and representation of photometric data
CIE 13	Method of measuring and specifying colour rendering properties of light sources

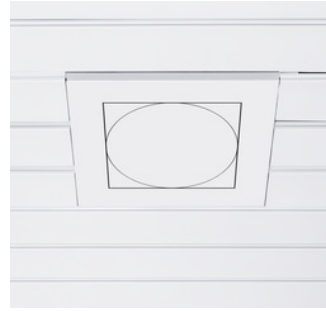
All technical data is subject to industrially standard tolerances.

Also see [www.erco.com/erco-led](http://www.erco.com/erco-led)

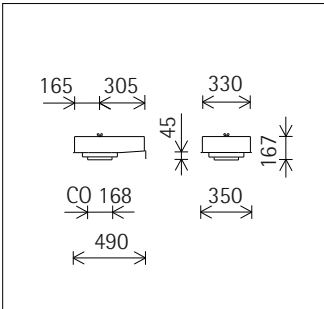
## Accessories



**83741.000**  
Concrete housing  
Stainless steel, galvanised/powder-coated.  
Recommended 0-8mm aggregate for the concrete.  
Weight 6.10kg



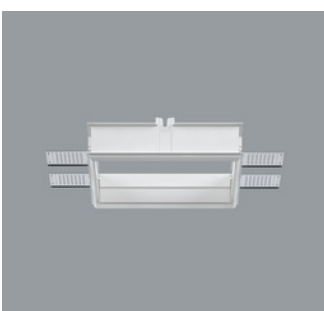
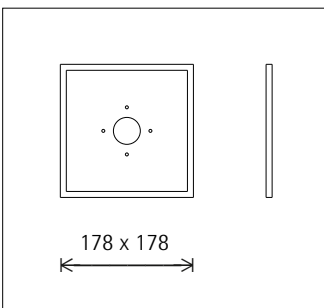
**82950.000**  
Mounting plate for panelled ceilings  
Metal, white (RAL9002) powder-coated.  
Individual design of mounting plates according to ceiling type and luminaire.  
Quote ceiling type and dimensions.



**83999.000**  
Cover frame  
Metal, white. For covering the gap where ceiling cut-outs are too big.  
Please state internal and external dimensions when ordering.



**83619.000**  
Spacer plate  
Aluminium.  
For flush-mounting of downlights in concrete housings in exposed concrete ceilings.  
Weight 0.14kg



**82922.000**  
Mounting frame  
For flush mounting of luminaires with ceiling aperture 168x168mm.  
Polymer, white (RAL9002). Mounting for ceiling thicknesses of 12.5-25mm.  
The recess depth of the luminaire increases by 2mm.  
Weight 0.20kg

