



## ERCO Minirail 48V track – Small cross section, large flexibility

**The elegant infrastructure for lighting in the digital age**  
With Minirail, ERCO offers a miniaturised alternative to the classic ERCO track as the basis for flexible space-saving lighting systems. Minirail is operated with 48V. The system requires only two conductors and features a profile with a width of just 22mm: ideal for all situations requiring the smallest possible system dimensions, whether for aesthetic or technical reasons. In combination with correspondingly compact luminaires for Minirail, lighting designers can install high quality lighting in the

smallest of spaces. The 48V operating voltage represents an optimum in terms of safety and efficiency. Minirail is suitable for ceiling recessing or surface-mounting and, with appropriate accessories, for suspended mounting. A wide range of configurations can be created with the various connectors, couplers and feeds.



**Structure and characteristics**

The features described here are typical of products in this range. Special versions may offer additional or varying features. A comprehensive description of the features of individual products can be found on our website.

**1 Aluminium profile**

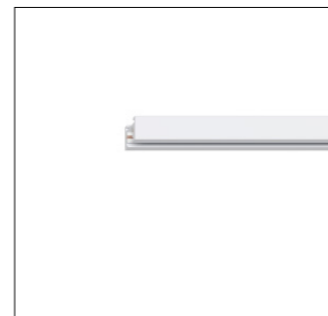
- White (RAL9002), black or silver
- Powder-coated or anodised
- Mounting surface with easy to remove knockouts

**2 Contacts**

- Two isolated copper conductors, 4.5mm<sup>2</sup>
- One 10A circuit

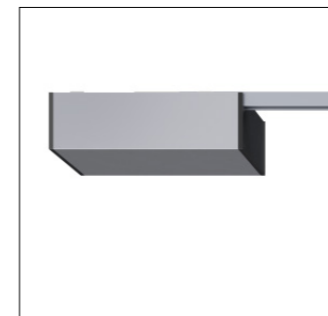
**Variants on request**

- Housing: 10,000 further colours
- Please contact your ERCO consultant.



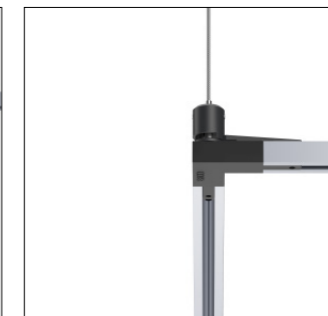
**Compact profile**

The small dimensions of the track profile of only 22mm is highly discreet, thus directing the focus on the light. Compact profiles are particularly advantageous in small rooms.



**48V technology**

Low voltage technology achieves very good energy efficiency which leads to low operating costs.



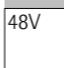


**Accessories**


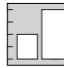

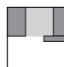
For special mounting situations, a comprehensive range of accessories such as connectors and suspensions is available.

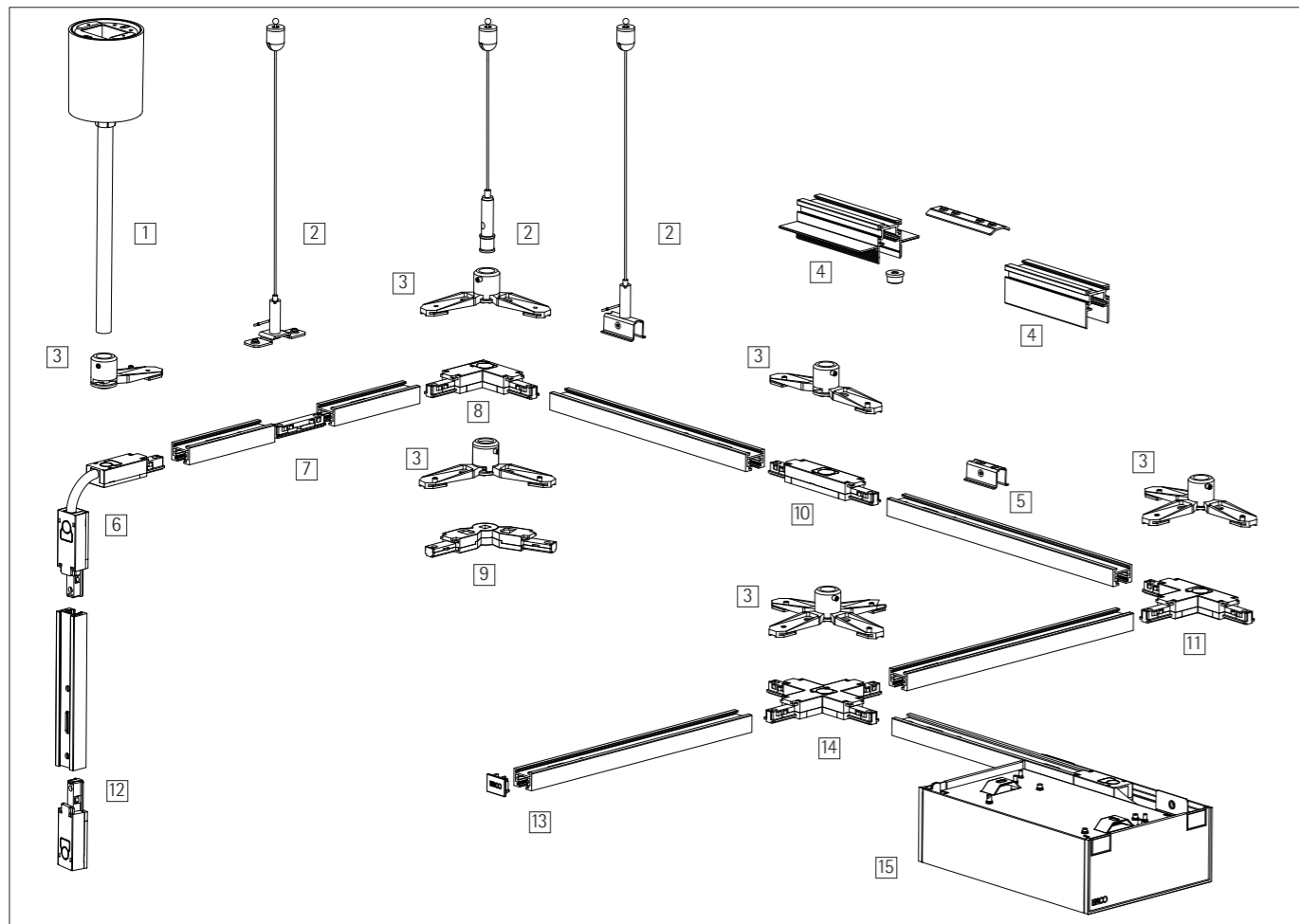


Design and application:  
[www.erco.com/minirail-48V](http://www.erco.com/minirail-48V)

**Special characteristics**

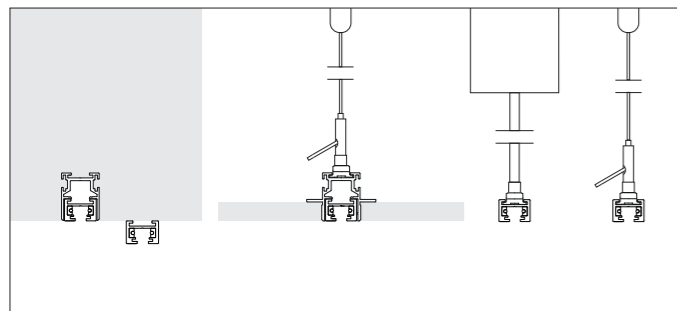
-  48V technology
-  Compact profile
-  Accessory for mounting variants

-  Various housing colours
-  Various construction sizes
-  Easy installation
-  Various mounting methods

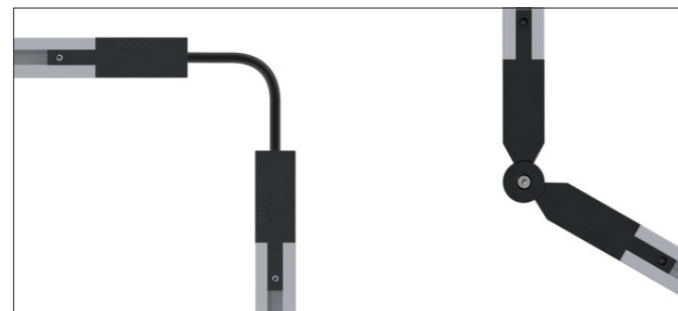


Accessories enable mounting in a wide variety of structural situations.

- 1 Pendant tube suspension
- 2 Wire rope suspension
- 3 Mounting device
- 4 Plaster trim profile
- 5 Fixing clip
- 6 Multiflex connector
- 7 Coupler
- 8 Corner connector
- 9 Flexible connector
- 10 Longitudinal connector
- 11 T-connector
- 12 Live end
- 13 End plate
- 14 Cross connector
- 15 Power supply unit



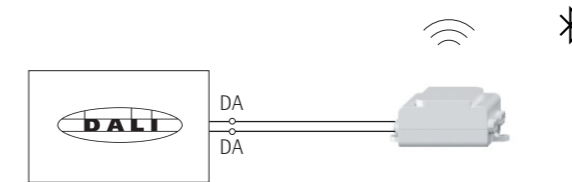
**Different mounting options**  
The system design of Minirail 48V track enables different types of mounting: recessed, surface-mounted, with mounting accessories for ceiling panels or for suspension with wires or pendant tubes.



**Simple mounting with connecting parts**  
The track can be mounted with connecting parts to form right-angled structures. Height differences in the ceiling and non-rectangular angles are solved by Minirail 48V with connectors that are flexible horizontally and even vertically.



**Expandable power supply**  
Parallel switchable power supply units ensure the necessary power supply. You can double the performance of your system with an identical power supply unit of the same power. The power supply can also be mounted at another location, for example in the ceiling – the distance to the Minirail track must then not exceed 10m.



**Integration into DALI systems**  
The DALI to Casambi Gateway ensures that the 48V luminaires with Casambi Bluetooth can also be controlled wirelessly via DALI systems.

**Mechanical information**  
Horizontal ceiling mounting: all luminaires approved for the ERCO Minirail 48V track system can be used.

Horizontal mounting on walls: only luminaires with a maximum weight of 1.0 kg including accessories may be used. Follow the mounting instructions of the luminaire.

Vertical mounting on walls: only luminaires with a maximum weight of 1.0 kg including accessories may be used.

Other mounting positions: see the product documentation for information on the limited use of luminaires.

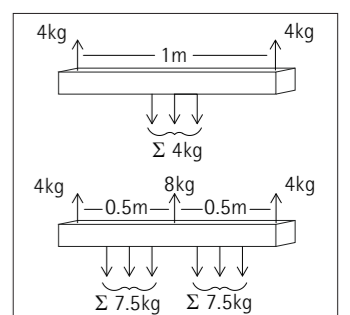
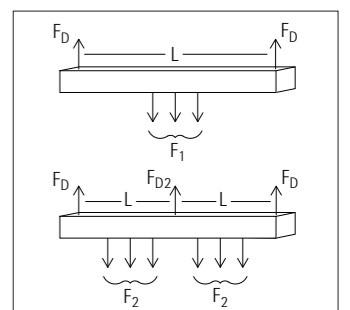
Permissible loading is calculated from the max. permissible profile deflection and the max. permissible mechanical loading of the suspension device. Load distribution takes both the weight of the system and the equally distributed point loads into consideration.

- L (mm) length
- f<sub>p</sub> (mm) deflection due to weight of profile
- F<sub>0</sub> (kg) max. loading of suspension device
- F<sub>1</sub> (kg) weight of the profile
- F<sub>2</sub> (kg) maximum permissible load for two-point suspension and permissible deflection (L/250) of 4mm per metre length
- F<sub>3</sub> (kg) maximum permissible load for series suspension and permissible deflection (L/250) of 4mm per metre length

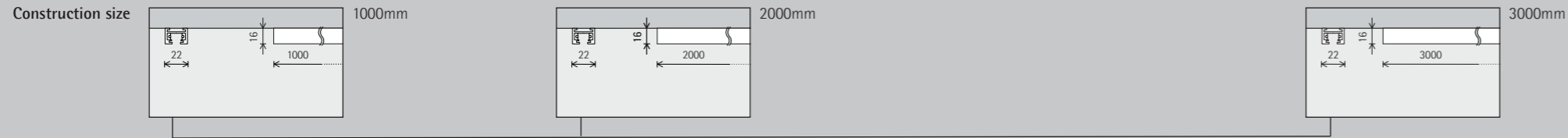
**ERCO Minirail 48V**

L (mm)	500	1000	1500	2000
Fe (kg)	0.25	0.50	0.75	1.00
fe (mm)	0.02	0.29	1.48	4.69

F <sub>0</sub>	= 4 kg (F <sub>02</sub> = 8 kg)
F <sub>1</sub> (kg)	7.50 4.00 1.50 0.50
F <sub>2</sub> (kg)	7.50 4.00 1.50 0.50



# ERCO Minirail 48V track



Colour (housing)

	White		Silver
	Black		10,000 colours *

## Accessories

	Connectors		Suspension equipment
	Plaster trim profile		Mounting components

\* available on request

Article numbers and planning data:  
[www.erco.com/019305](http://www.erco.com/019305)

Design and application:  
[www.erco.com/minirail-48V](http://www.erco.com/minirail-48V)

