



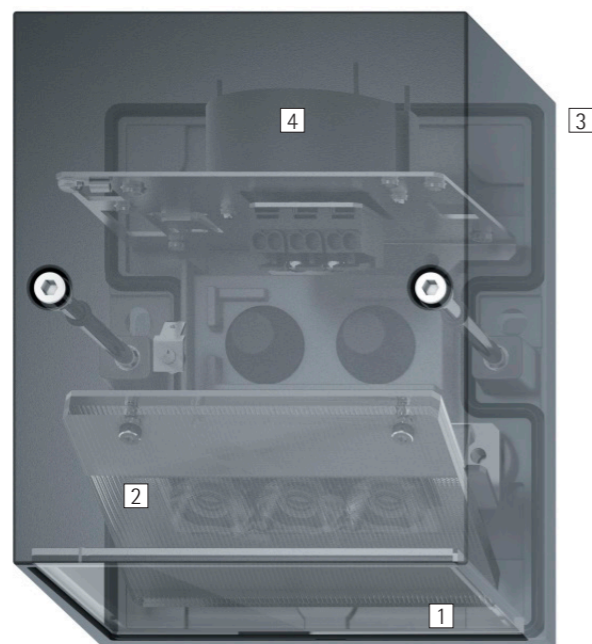
Kubus – Light from the box

Façade lighting and floor wash-lighting for outdoor and indoor areas with a single system design

During the day, Kubus is all but an inconspicuous structure on the wall – at night, however, the luminaire excels with exquisite light. Kubus is flexible. Using appropriate accessories, the luminaire can be mounted in or on the wall. Underlined with grazing light, wall surfaces are given a new dimension.

Used along traffic routes, Kubus provides optimum visual comfort and reliable orientation for

passers-by. In perfect understatement, Kubus combines highly efficient and maintenance-free optoelectronics with a very discreet appearance. Kubus floor wash-lights are also available as bollard luminaires.



Structure and characteristics

The features described here are typical of products in this range. Special versions may offer additional or varying features. A comprehensive description of the features of individual products can be found on our website.

1 Light emission of floor washlight (below)

- Softec lens as protective glass or non-reflective protective glass
- Wide distribution: sculpture lens or Spherolit lens
- Deep distribution: prismatic lens or Spherolit lens

or

Light emission of facade luminaire (above)

- Softec lens as protective glass or non-reflective protective glass
- Spherolit lens spot or sculpture lens

2 ERCO LED-module

- High-power LEDs: warm white (3000K) or neutral white (4000K)
- Collimating lens made of optical polymer

3 Housing and wall plate

- Graphit m
- Corrosion-resistant cast aluminum, No-Rinse surface treatment
- Double powder-coated
- Optimized surface for reduced accumulation of dirt

4 Control gear

- Switchable or trailing edge dimmable
- Trailing edge dimmable version:**
- Operation at 120V: Dimming with external dimmers possible
- Operation at 277V: switchable

Suitable for wet locations (IP65)

Dust-proof and water jet-proof

Variants on request

- High-power LEDs: 3000K CRI 97 or 2700K, 3500K, 4000K with CRI 92
 - Housing: 10,000 further colors
- Please contact your ERCO consultant.



Various construction sizes

The luminaires in the ERCO product range cover a wide variety of lumen categories and therefore offer an appropriate solution for a large number of lighting tasks.

Wide or deep beam distribution

The wide or deep beam distribution Spherolit lenses allow the light distribution to be matched to the lighting task at hand.



Design and application:
www.erco.com/kubus-f

Special characteristics

Different light distributions: wide or deep

Various construction sizes

ERCO high-power LEDs

Efficient Spherolit technology

Different light colors

Excellent thermal management

EMC-optimized

Wet location

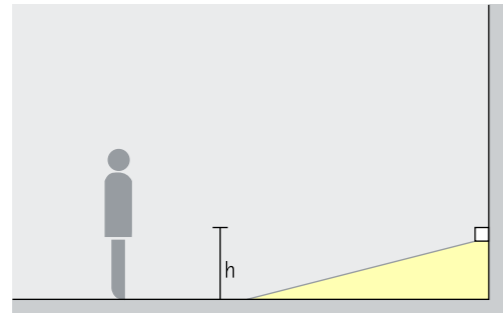
Accessory for mounting variants

Switchable

Trailing edge dimmable

Kubus Façade luminaires – Luminaire arrangement

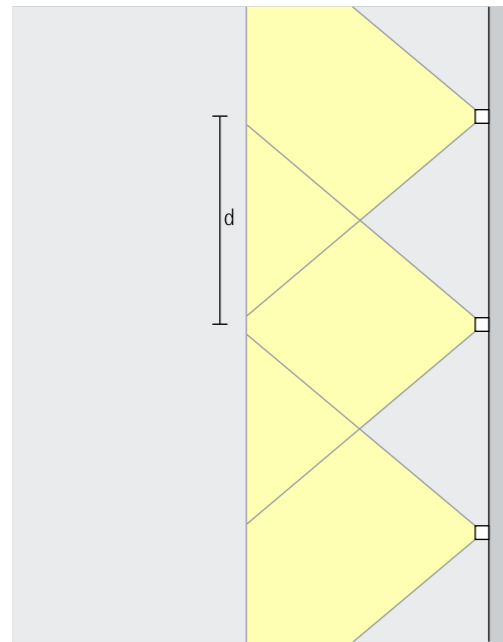
Floor washlights Wide beam, Deep beam



Washlighting

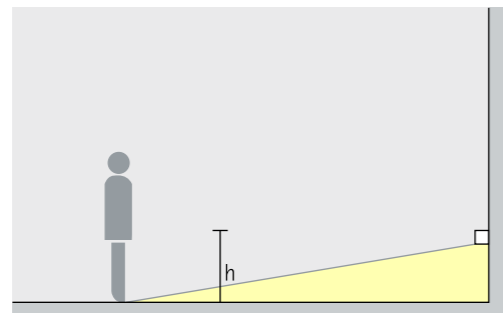
Kubus floor washlights with a wide beam light distribution provide subtle light for a glare-free and uniform illumination of pathways near façades. The recommended mounting height (h) for floor washlights is 2ft above the ground.

Arrangement: $h = 2\text{ft}$



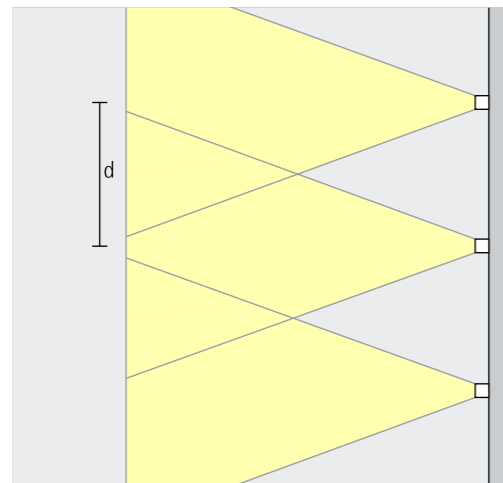
For uniform washlighting of the ground, the luminaire spacing (d) may be up to 2 times the mounting height (h). The luminaire spacing for visual guidance may be up to 10 times the mounting height.

Arrangement: $d \leq 2 \times h$



Kubus floor washlights with a deep beam light distribution provide subtle light for a glare-free and uniform illumination of open areas near façades. The recommended mounting height (h) for floor washlights is 2ft above the ground.

Arrangement: $h = 2\text{ft}$

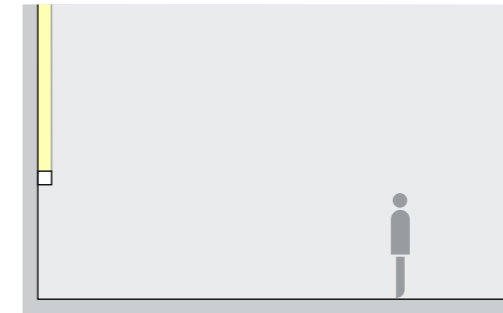


For uniform washlighting of the ground, the luminaire spacing (d) may be up to 2 times the mounting height (h). The luminaire spacing for visual guidance may be up to 10 times the mounting height.

Arrangement: $d \leq 2 \times h$

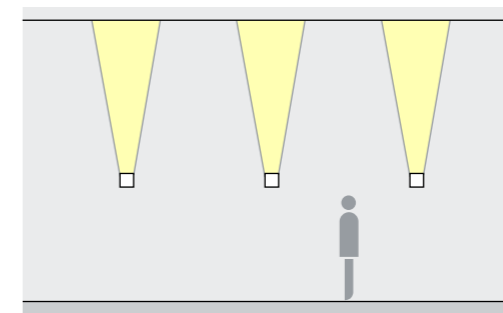
Kubus Façade luminaires – Luminaire arrangement

Façade luminaires Spot, Oval flood



Accentuation

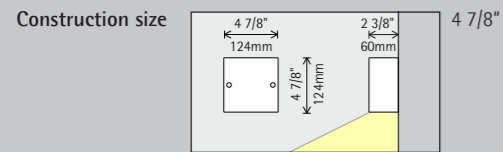
Kubus façade luminaires with upward and downward beam emission structure large façades, while emphasizing the three-dimensionality of materials with grazing light. To avoid glare, luminaires with an upward light emission are best mounted above eye-level of the observer.



The luminaire spacing for accentuation depends on the grid pattern of the architecture.



Kubus Façade luminaires



LED module
Maximum value
at 4000K CRI 82

3W/450lm

Light color

	2700K CRI 92 *		3500K CRI 92 *
	3000K CRI 92		4000K CRI 82
	3000K CRI 97 *		4000K CRI 92 *

Light distribution

	Floor washlights
	Wide beam
	Deep beam

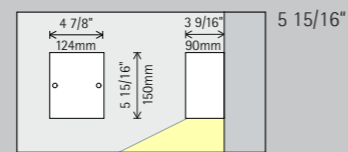
Control

Switchable

Color (housing)

Graphit m

10,000 colors *



LED module
Maximum value
at 4000K CRI 82

6W/825lm

Light color

	2700K CRI 92 *		3500K CRI 92 *
	3000K CRI 92		4000K CRI 82
	3000K CRI 97 *		4000K CRI 92 *

Light distribution

	Floor washlights
	Wide beam
	Deep beam

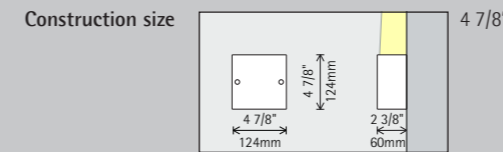
Control

Trailing edge dimmable

Color (housing)

Graphit m

10,000 colors *



LED module
Maximum value
at 4000K CRI 82

3W/450lm

Light color

	2700K CRI 92 *		3500K CRI 92 *
	3000K CRI 92		4000K CRI 82
	3000K CRI 97 *		4000K CRI 92 *

Light distribution

	Façade luminaires
	Spot
	Oval flood

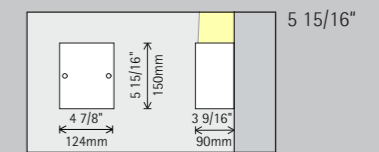
Control

Switchable

Color (housing)

Graphit m

10,000 colors *



LED module
Maximum value
at 4000K CRI 82

6W/825lm

Light color

	2700K CRI 92 *		3500K CRI 92 *
	3000K CRI 92		4000K CRI 82
	3000K CRI 97 *		4000K CRI 92 *

Light distribution

	Façade luminaires
	Spot
	Oval flood

Control

Trailing edge dimmable

Color (housing)

Graphit m

10,000 colors *

Accessories

	Concrete housing		Recessed cassette
	Recessed housing		Mounting plate

* available on request

Article numbers and planning data:
www.erco.com/012852-us

Design and application:
www.erco.com/kubus-f

