



## Gimbal with mounting bracket – The highly diverse special tool

**Versatile lighting technology  
with cardanic suspension, optimised  
for mounting in channels**

The principle of cardanic suspension with Gimbal recessed spotlights translates into an especially precise, comfortable swivel mechanism. It is not only more compact than standard versions, but the centre of the light head maintains its position during alignment – as a result Gimbal is predestined as a tool for lighting concepts with ceiling channels. The luminaire can also be simply installed in on-location ceiling channels thanks to its special

mounting bracket. Several construction sizes and wattages for each light distribution create lively, nuanced and flexible lighting concepts. Applications consist of retail projects, hotels and restaurants as well as buildings where lighting designers plan discreet and effective lighting from ceiling channels or coves.

## Gimbal with mounting bracket Recessed spotlights, floodlights, wallwashers



### Structure and characteristics

The features described here are typical of products in this range. Special versions may offer additional or varying features. A comprehensive description of the features of individual products can be found on our website.

#### 1 ERCO Spherolit lens

- Light distributions: narrow spot, spot, flood, wide flood, extra wide flood, oval flood or wallwash
- Oval flood 360° rotation

#### 2 ERCO LED-module

- High-power LEDs: warm white (2700K or 3000K) or neutral white (3500K or 4000K)
- Collimating lens made of optical polymer

#### 3 Luminaire

- Black
- Cast aluminium, powder-coated
- Gimbal suspension: polymer
- Pivotal through 0°-40°, pivotable through 60° in the longitudinal direction of the channel
- Mounting bracket: steel, powder-coated

#### 4 Control gear

- Switchable, phase dimmable, DALI dimmable or Casambi Bluetooth
- Phase dimmable version: Dimming with external dimmers possible (trailing edge)

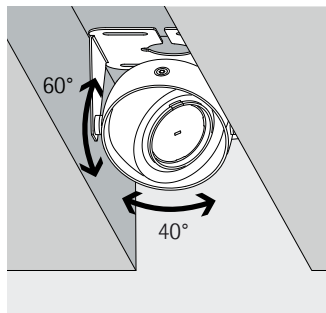
#### Variants on request

- Connection: 3- or 5-pole plug with connection cable (Wago or Wieland)
  - Housing: 10,000 further colours
- Please contact your ERCO consultant.



Design and application:  
[www.erco.com/gimbal-cc](http://www.erco.com/gimbal-cc)

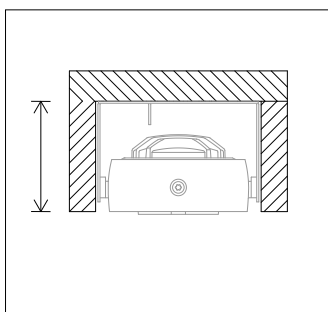
# Gimbal with mounting bracket Recessed spotlights, floodlights, wallwashers



**Cardanic suspension**  
Especially with high ceilings, small swivel movements have a strong effect on the position of the light beam – cardanic suspension facilitates precise luminaire alignment in such cases.

**Oval flood freely rotatable**  
The oval flood Spherolit lens can be freely rotated with round luminaire heads to optimally match the lighting to various objects.

**Ideal for ceiling channels**  
The compact design and central pivot point predestine some luminaires for installation in ceiling channels.



**Shallow recess depth**  
In compact installation situations, every millimetre is decisive with the recess depth of a luminaire. ERCO has thus developed special luminaires for shallow recess depths that guarantee very good quality of light even in very tight installation conditions.

Special characteristics	
	Oval flood, freely rotatable
	Gimbal suspension
	Ideal for ceiling channels
	Shallow recess depth

	ERCO high-power LEDs
	Efficient Spherolit technology
	Different light distributions
	Different light colours

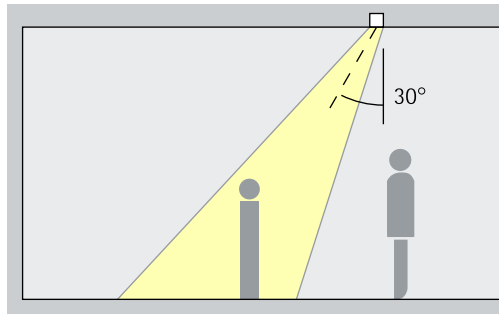
	Excellent thermal management
	EMC-optimised
	Various construction sizes
	Pivotable through 40°
	Accessory for maximum visual comfort

	Switchable
	Phase dimmable
	DALI dimmable
	Casambi Bluetooth

# Gimbal with mounting bracket Recessed spotlights, floodlights, wallwashers – Luminaire arrangement

## Recessed spotlights

Narrow spot, Spot, Flood



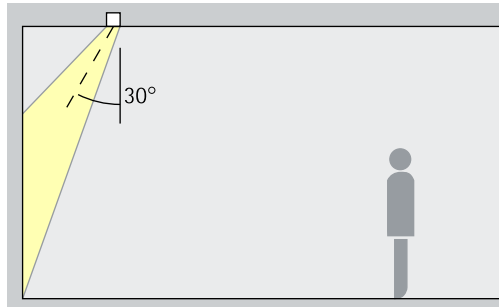
### Accentuation

Gimbal spotlights for ceiling channels accentuate products and architectural details effectively. The ideal angle of tilt ( $\alpha$ ) for this is around 30°. The object is modelled without distorting the effect as a result of excessive shadowing. It also prevents shadows cast by the observer.

Arrangement:  $\alpha = 30^\circ$

## Recessed floodlights

Wide flood, Extra wide flood, Oval flood



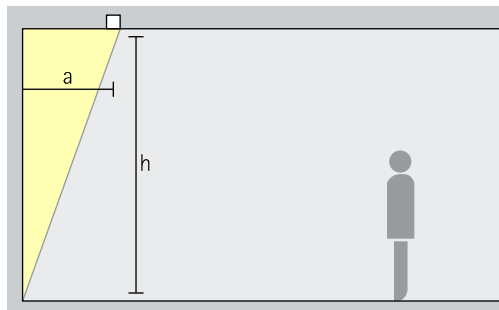
### Washlighting

The ideal angle of tilt ( $\alpha$ ) for floodlighting objects with a long, square shape, e.g. tables or merchandise displays, is around 30°.

Arrangement:  $\alpha = 30^\circ$

## Recessed lens wallwasher

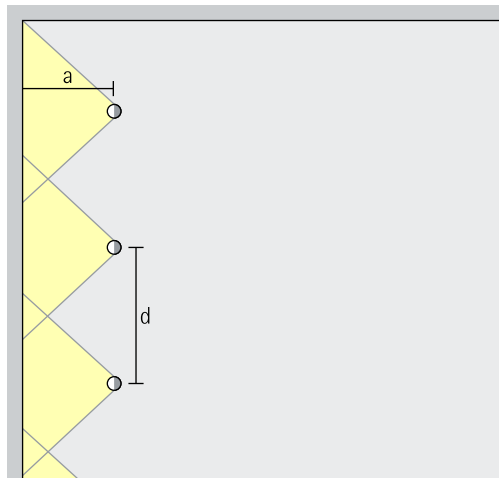
Wallwash



### Wallwashing

For uniform vertical illuminance, the distance ( $a$ ) of Gimbal lens wallwashers from the wall should be around one third of the wall height ( $h$ ). This results in an angle of tilt ( $a$ ) of approx. 35°.

Arrangement:  $a = 1/3 \times h$  bzw.  $\alpha = 35^\circ$



For good longitudinal uniformity, the spacing ( $d$ ) of Gimbal lens wallwashers may be up to 1.2 times the offset from the wall ( $a$ ).

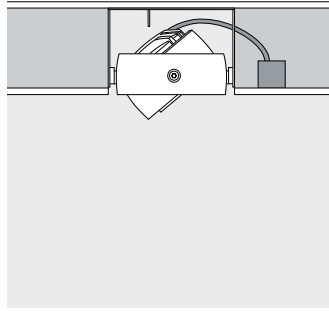
Arrangement:  $d \leq 1.2 \times a$

Optimal wall offset and luminaire spacing values are indicated in the wallwasher tables on the product data sheets.

# Gimbal Installation information

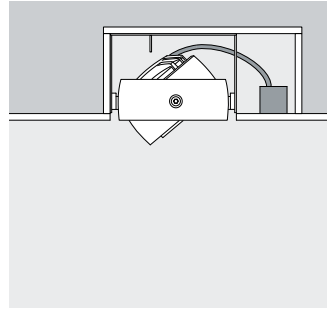
## Recessed spotlights

The mounting bracket for Gimbal recessed spotlights and recessed floodlights enables diverse installation options. The luminaire is predestined for mounting in ceilings, e.g. suspended ceilings, in ceiling channels or in slab ceilings. Alternatively, the mounting bracket can also be fixed horizontally or vertically to other surfaces of the building. Cardanic suspension ensures that Gimbal can be flexibly aligned.



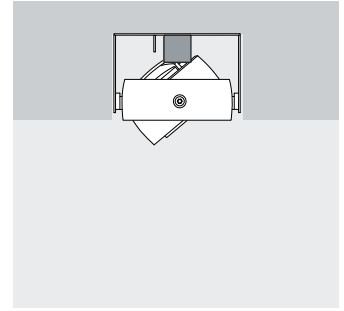
### Installation: Suspended ceiling

A ceiling cutout can be quickly and efficiently implemented in suspended ceilings for the flush-mounting of Gimbal recessed spotlights.



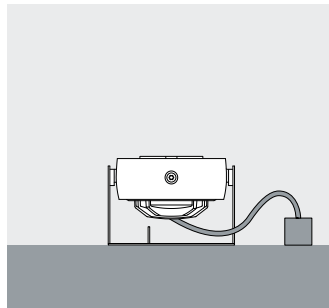
### Installation: Ceiling channel

To avoid any view into the ceiling cavity on the side, the ceiling channel can be closed laterally – either directly or with a side pocket for cable routing and control gear.



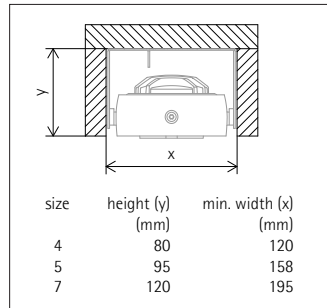
### Installation: Ceiling slab

If cutouts are intended for the shell construction the Gimbal recessed spotlight can also be integrated into ceiling slabs.



### Alternative installation options

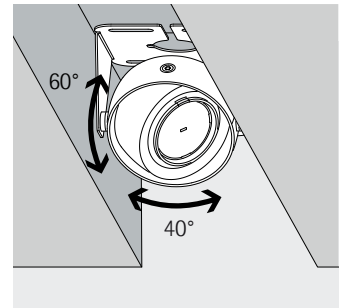
The mounting bracket allows Gimbal to be installed not only in the ceiling channel, but also on horizontal surfaces, such as beams or ledges.



### Dimensioning of the ceiling channel

The minimum width of the ceiling channel corresponds to the width of the mounting bracket. The depth is according to the luminaire size and

the issue of whether the swivelled luminaire should be allowed to protrude from the ceiling.

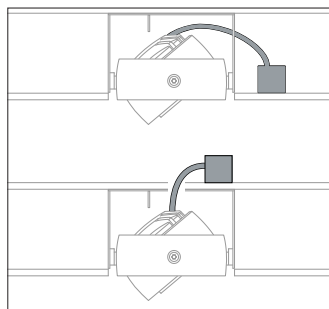


### 40° tiltable

Gimbal can be tilted through 40°. In the longitudinal direction of the channel the luminaire can be tilted up to 60°.

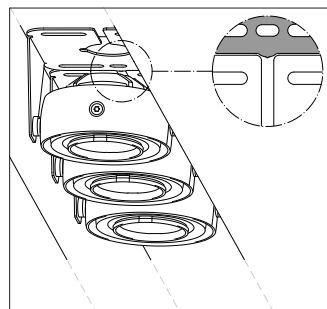
## Control gear

Gimbal recessed spotlights have control gear that can be flexibly accommodated in the ceiling cavity. Cable lengths and any minimum distances between the control gear and luminaire head are specified on the product data sheet.



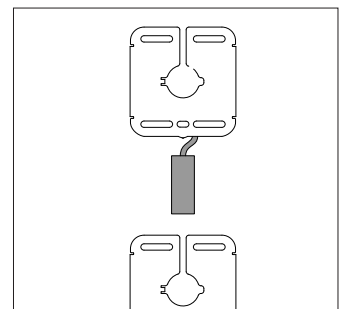
### Position of control gear

The control gear can be positioned either to the side or above the ceiling channel.



### Sequential arrangement possible

The mounting brackets also enable sequentially installing Gimbal. The control gear is positioned either to the side or above here as well.

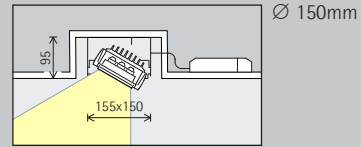
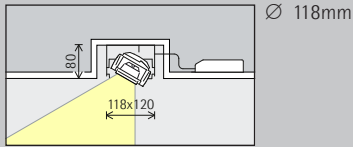


### Control gear between luminaires

With sequential arrangements the control gear can also be installed between the luminaires.

# Gimbal with mounting bracket Recessed spotlights, recessed floodlights, recessed wallwashers

Construction size



LED module  
Maximum value at 4000K CRI 82

6W/825lm	2W/275lm (Narrow spot)
10W/1230lm	3W/410lm (Narrow spot)

12W/1650lm	4W/550lm (Narrow spot)
19W/2460lm	6W/820lm (Narrow spot)

Light colour

	2700K CRI 92		3500K CRI 92
	3000K CRI 92		4000K CRI 82
	3000K CRI 97		4000K CRI 92

	2700K CRI 92		3500K CRI 92
	3000K CRI 92		4000K CRI 82
	3000K CRI 97		4000K CRI 92

Light distribution

Recessed spotlights	Recessed floodlights
Narrow spot	Wide flood
Spot	Extra wide flood
Flood	Oval flood
Recessed lens wallwashers	
Wallwash	

Recessed spotlights	Recessed floodlights
Narrow spot	Wide flood
Spot	Extra wide flood
Flood	Oval flood
Recessed lens wallwashers	
Wallwash	

Control

Switchable	DALI
Phase dimmable	Casambi Bluetooth

Switchable	DALI
Phase dimmable	Casambi Bluetooth

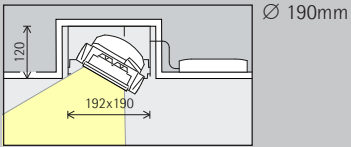
Colour (housing)

	Black
	10,000 colours *


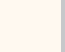




	Black
	10,000 colours *








Accessories

	Lenses		Cross-baffle
	Snoot		Honeycomb anti-glare screen





24W/3300lm	8W/1100lm (Narrow spot)
38W/4920lm	13W/1640lm (Narrow spot)

	2700K CRI 92		3500K CRI 92
	3000K CRI 92		4000K CRI 82
	3000K CRI 97		4000K CRI 92

Recessed spotlights	Recessed floodlights
 Narrow spot	 Wide flood
 Spot	 Extra wide flood
 Flood	 Oval flood
Recessed lens wallwashers	
 Wallwash	

 Switchable	 DALI
 Phase dimmable	 Casambi Bluetooth

 Black
 10,000 colours *

\* available on request

Article numbers and planning data:  
[www.erco.com/016770](http://www.erco.com/016770)

Design and application:  
[www.erco.com/gimbal-cc](http://www.erco.com/gimbal-cc)





