



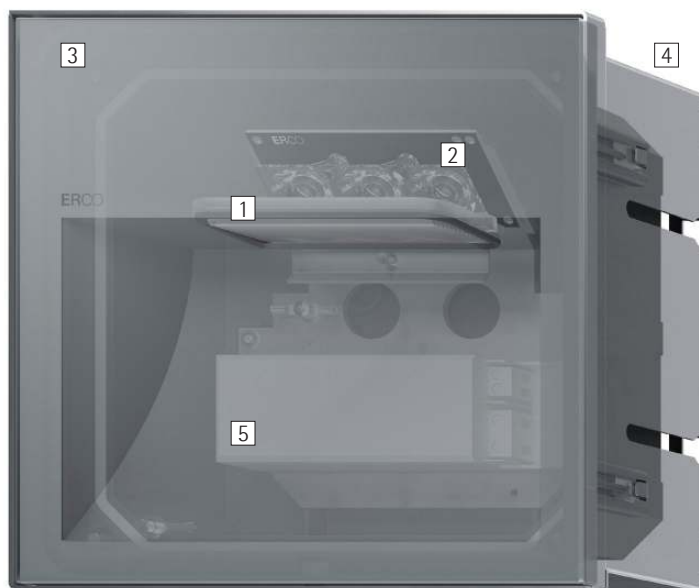
Lightmark – Precise light of minimalist elegance

The efficient façade luminaire with good visual comfort for the illumination of pathways, open areas and entrance zones

Lightmark façade luminaires focus the attention very naturally on any architectural setting. Using the wide light distribution, Lightmark illuminates pathways along walls or buildings evenly over an area wide enough to require a minimum number of luminaires. Their deep-beam version effectively lights squares or terraces.

With their smooth surface, Lightmark creates an eye-catching feature on any façade. The graphic

style of the luminaire is further underlined by details such as invisible connections and a flush cover glass. The light source is discreetly hidden to ensure glare-free light for passers-by. Thanks to dark sky technology, Lightmark façade luminaires emit no spill light above the horizontal plane. The system design of the Lightmark range enables many different combinations of bollard and façade luminaires.



Structure and characteristics

The features described here are typical of products in this range. Special versions may offer additional or varying features. A comprehensive description of the features of individual products can be found on our website.

1 ERCO Spherolit lens

- Light distributions: wide beam or deep beam

2 ERCO LED-module

- High-power LEDs: warm white (3000K) or neutral white (4000K)
- Collimating lens made of optical polymer

3 Cover (recessed luminaire)

- Graphit m
- Corrosion-resistant cast aluminum, No-Rinse surface treatment
- Double powder-coated
- Optimized surface for reduced accumulation of dirt
- Flush mounting detail
- Flush mounting detail: non-reflective safety glass

4 Housing and mounting ring (recessed luminaire)

- For recessed mounting in brickwork and dry-wall partitions
- Mounting ring: stainless steel
- Mounting bracket: metal, hot-dip galvanized. Clamp extension 1/16" - 1 3/16" / 1-30mm
- Housing: polymer, black

or

Housing and wall plate (surface-mounted luminaire)

- Graphit m
- Corrosion-resistant cast aluminum, No-Rinse surface treatment
- Double powder-coated
- Optimized surface for reduced accumulation of dirt
- Non-reflective safety glass

5 Control gear

- Trailing edge dimmable
- Operation at 120V: Dimming with external dimmers possible
- Operation at 277V: switchable

Suitable for wet locations (IP65)
Dust-proof and water jet-proof

Variants on request

- High-power LEDs: 3000K CRI 97 or 2700K, 3500K, 4000K with CRI 92
 - Housing: 10,000 further colors
- Please contact your ERCO consultant.



Design and application:
www.erco.com/lightmark-f



Different light distributions, wide or deep beam

Floor washlights with a wide beam are ideal particularly for lighting pathways along walls and façades. Floor washlights with a deep beam are effective in illuminating open spaces such as squares or terraces.

Special characteristics



Different light distributions: wide or deep



ERCO high-power LEDs



Excellent thermal management



Trailing edge dimmable



Efficient Spherolit technology



EMC-optimized



Dark Sky technology



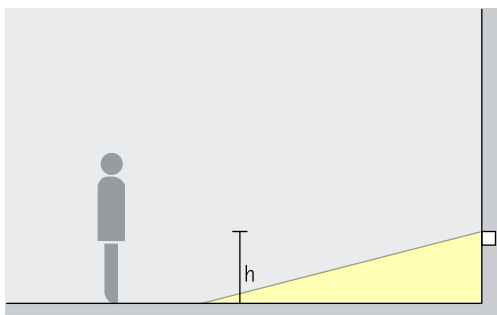
Wet location



Different light colors

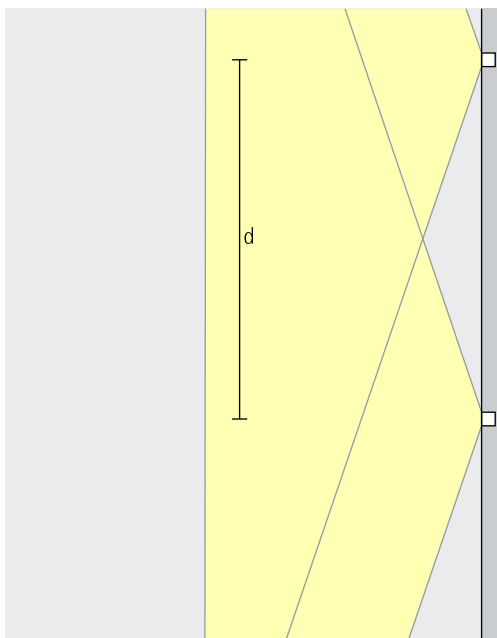
Lightmark Façade luminaires – Luminaire arrangement

Floor washlights
Wide beam, Deep beam



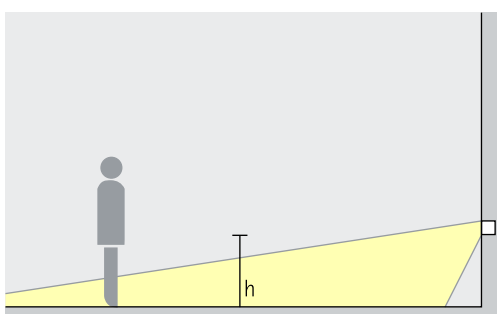
Washlighting
Visor floor washlights with a wide beam light distribution provide subtle light for a glare-free and uniform illumination of pathways near façades. The recommended mounting height (h) for floor washlights is 2ft above the ground.

Arrangement: $h = 2\text{ft}$



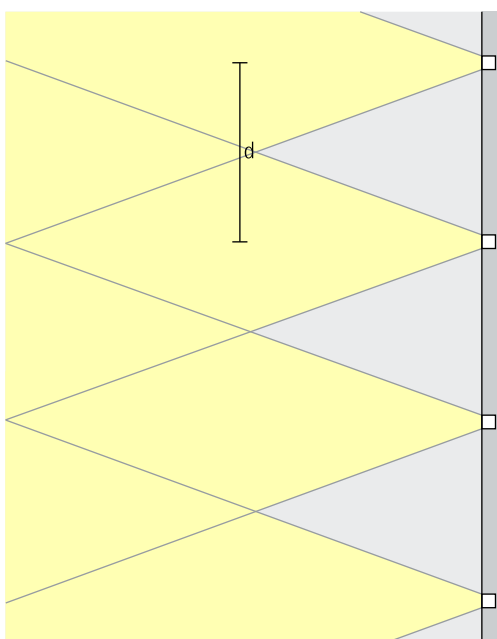
For uniform washlighting of the ground, the luminaire spacing (d) may be up to 3 times the mounting height (h). The luminaire spacing for visual guidance may be up to 10 times the mounting height.

Arrangement: $d = 3 \times h$



Visor floor washlights with a deep beam illuminate open areas along façades uniformly with subtle and glare-free light. The recommended mounting height (h) for floor washlights is 2ft above the ground.

Arrangement: $h = 2\text{ft}$



For uniform washlighting of the ground, the luminaire spacing (d) may be up to 3 times the mounting height (h). The luminaire spacing for visual guidance may be up to 10 times the mounting height.

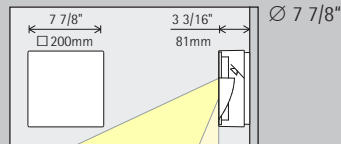
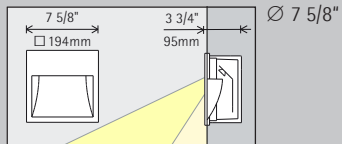
Arrangement: $d = 3 \times h$

City tower,
Günzburg.
Lighting design:
Conplanning GmbH,
Günzburg. Photo-
graphy: Sebastian
Mayer, Berlin.



Lightmark Façade luminaires

Construction size



LED module Maximum value at 4000K CRI 82

6W/825lm

6W/825lm

Light color

	2700K CRI 92 *		3500K CRI 92 *
	3000K CRI 92		4000K CRI 82
	3000K CRI 97 *		4000K CRI 92 *

	2700K CRI 92 *		3500K CRI 92 *
	3000K CRI 92		4000K CRI 82
	3000K CRI 97 *		4000K CRI 92 *

Light distribution

Floor washlights	
	Wide beam
	Deep beam

Floor washlights	
	Wide beam
	Deep beam

Control

Trailing edge dimmable

Trailing edge dimmable

Color (housing)

	Graphit m
	10,000 colors *

Accessories

	Junction box		Sealing plate
	Concrete housing		Suction holder
	Mounting plate		



* available on request

Article numbers and planning data:
www.erco.com/012922-us

Design and application:
www.erco.com/lightmark-f



