

Nadir IP67 square – Elegant down to the last detail

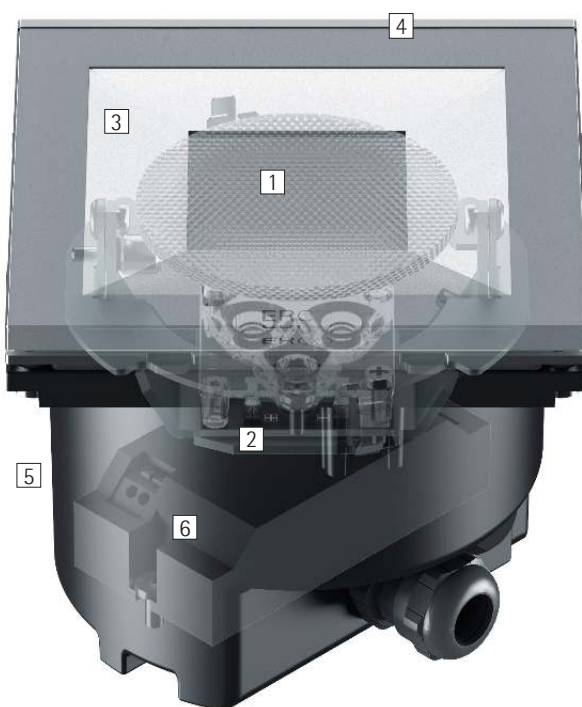
Nadir ensures maximum visual comfort for light from indoor floor areas

Bringing out wall surfaces, effectively illuminating architecture, marking out pathways: Nadir IP67 for indoor applications performs these and other tasks with peerless elegance. In square or round versions and with a discreet stainless steel mounting frame, the luminaire's mounting is virtually flush with the floor. Needless to say, it can also be mounted covering the surrounding cut-out. Nadir IP67 is a highly flexible system, letting you vary the recess

depth to suit the actual floor conditions.



Nadir IP67 square Recessed floor luminaires



Structure and characteristics

The features described here are typical of products in this range. Special versions may offer additional or varying features. A comprehensive description of the features of individual products can be found on our website.

1 ERCO Spherolit lens

- Light distributions: spot or oval flood

2 ERCO LED-module

- High-power LEDs: warm white (2700K or 3000K) or neutral white (3500K or 4000K)
- Collimating lens made of optical polymer
- 0°-25° tilt
- Directional spotlight rotatable through 90°

3 Perforated shield

- Aluminum, silver, highly specular anodized

4 Safety glass

- Clear, 1/4" / 6mm
- Load 1124lb.wt / 5kN

5 Housing

- For mounting in accessories
- Corrosion-resistant cast aluminum, No-Rinse surface treatment
- Black, double powder-coated
- Cable 3xAWG14, L 19 11/16" / 500mm
- Mounting accessories to be ordered separately
- To avoid submersion in standing water provide local drainage

6 Control gear

- Switchable

Suitable for wet location (IP67)

Dust-proof and protected against immersion damage



Design and application:
www.erco.com/nadir-square

Nadir IP67 square Recessed floor luminaires






Grazing light
Grazing light wallwashers need to be positioned close to the wall for ideal effects.



Available in round or square
The ERCO system design includes round and square versions to provide luminaires suited to the architecture and surroundings.



Shallow recess depth
For compact mounting situations, ERCO has developed luminaires with a shallow recess depth to provide excellent light quality in areas with limited installation space.

Special characteristics	
	Grazing light wallwasher
	Available in round or square
	Shallow recess depth



ERCO high-power LEDs



Efficient Spherolit technology



Different light colors



Excellent thermal management



EMC-optimized



Flush or covered mounting detail



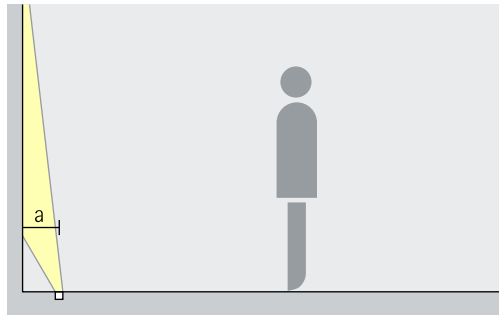
Wet location



Switchable

Nadir IP67 square Recessed floor luminaires – Luminaire arrangement

Grazing light wallwashers
Oval flood

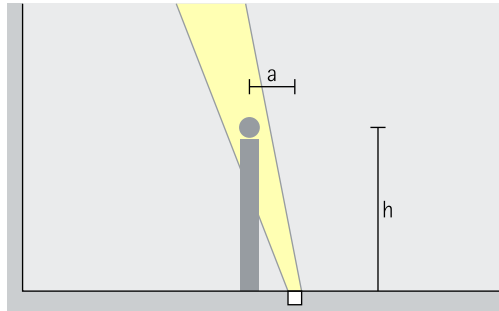


Wallwashing

For grazing light at selected points, the distance (a) of Nadir IP67 grazing light wallwashers from the wall should be between 8" and 19".

Arrangement: $8" < a > 19"$

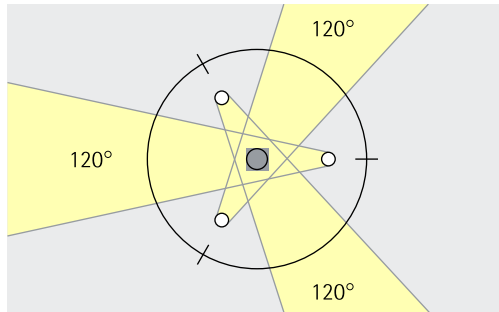
Directional luminaires
Spot



Accentuation

Experience has shown the ideal angle of tilt (a) for accent lighting with Nadir directional luminaires to be 20°. This ensures good modeling without excessive grazing light.

Arrangement: $\alpha = 20^\circ$



The arrangement (γ) of three luminaires positioned at an angle of 120° to each other allows for all-round illumination of objects in a room.

Arrangement: $\gamma = 120^\circ$



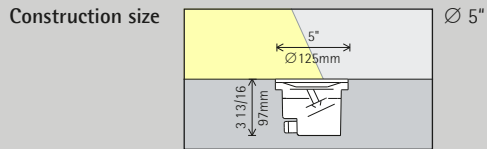
Schloßgut Weissenhaus Hotel, Weissenhaus / Germany. Markus-Diedenhofen Innenarchitektur, Reutlingen / Germany. moodworks, Lensahn / Germany. Photography: Frieder Blickle, Hamburg / Germany.

Steigenberger
Hotel Handelshof,
Leipzig / Germany.
Architecture
and lighting
design: Markus-
Diedenhofen
Innenarchitek-
tur, Reutlingen /
Germany. Photo-
graphy: Thomas
Pflaum / AGON /
VISUM.



Private residence,
Espergærde.
Architect: Dall
Lindhardtzen,
Helsingør. Electri-
cal engineering:
OGC Building
Consultants.

Nadir IP67 round Recessed floor luminaires



LED module
Maximum value at 4000K CRI 82

3W/450lm

Light color

	2700K CRI 92		3500K CRI 92
	3000K CRI 92		4000K CRI 82
	3000K CRI 97		4000K CRI 92

Light distribution

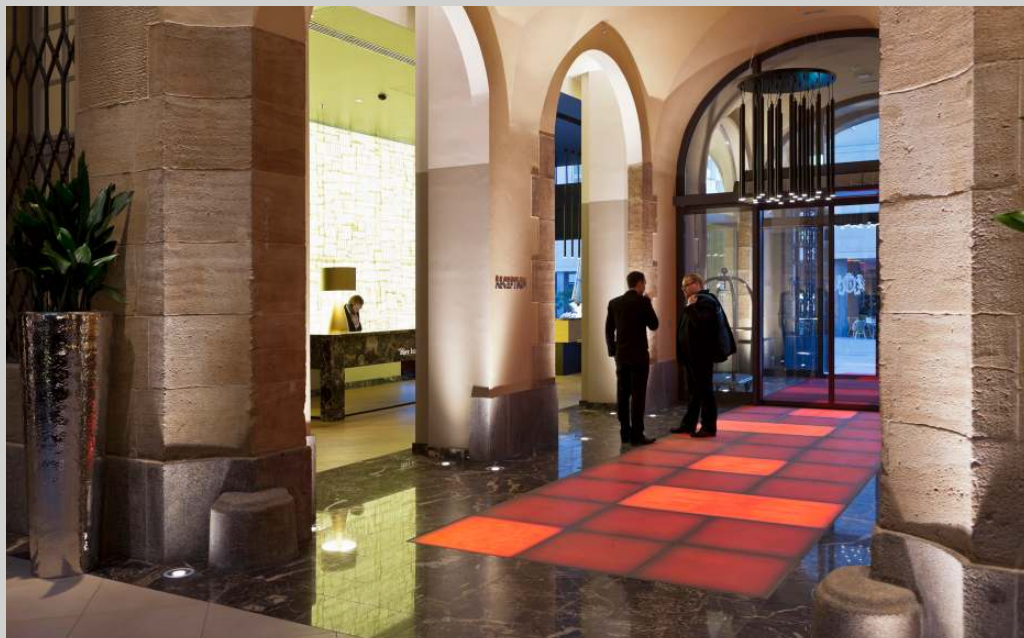
Grazing light wallwashers		Directional luminaires	
	Oval flood		Spot

Control

Switchable

Accessories

	Junction box		Mounting ring
	Recessed housing		Suction holder



Steigenberger
Hotel Handelshof,
Leipzig. Interior
and lighting
design: Markus-
Diedenhofen
Innenarchitektur,
Reutlingen.

Article numbers and planning data:
www.erco.com/011334-us

Design and application:
www.erco.com/nadir-round



