

# Nadir IP67 round – Elegant down to the last detail

## **Nadir ensures maximum visual comfort for light from indoor floor areas**

Bringing out wall surfaces, effectively illuminating architecture, marking out pathways: Nadir IP67 for indoor applications performs these and other tasks with peerless elegance. In square or round versions and with a discreet stainless steel mounting frame, the luminaire's mounting is virtually flush with the floor. Needless to say, it can also be mounted covering the surrounding cut-out. Nadir IP67 is a highly flexible system, letting you vary the recess

depth to suit the actual floor conditions.



## Nadir IP67 round Recessed floor luminaires



### Structure and characteristics

The features described here are typical of products in this range. Special versions may offer additional or varying features. A comprehensive description of the features of individual products can be found on our website.

#### 1 ERCO Spherolit lens

- Light distributions: spot or oval flood

#### 2 ERCO LED-module

- High-power LEDs: warm white (2700K or 3000K) or neutral white (3500K or 4000K)
- Collimating lens made of optical polymer
- 0°-25° tilt
- Directional spotlight rotatable through 90°

#### 3 Perforated shield

- Aluminum, silver, highly specular anodized

#### 4 Safety glass

- Clear, 1/4" / 6mm
- Load 1124lb.wt / 5kN

#### 5 Housing

- For mounting in accessories
- Corrosion-resistant cast aluminum, No-Rinse surface treatment
- Black, double powder-coated
- Cable 3xAWG14, L 19 11/16" / 500mm
- Mounting accessories to be ordered separately
- To avoid submersion in standing water provide local drainage

#### 6 Control gear

- Switchable

#### Suitable for wet location (IP67)

Dust-proof and protected against immersion damage

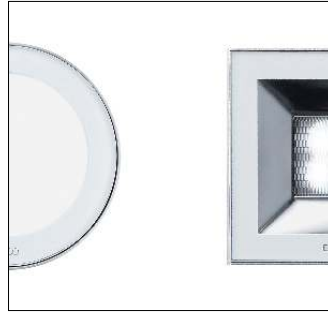


Design and application:  
[www.erco.com/nadir-round](http://www.erco.com/nadir-round)

# Nadir IP67 round Recessed floor luminaires



**Grazing light**  
Grazing light wallwashers need to be positioned close to the wall for ideal effects.



**Available in round or square**  
The ERCO system design includes round and square versions to provide luminaires suited to the architecture and surroundings.



**Shallow recess depth**  
For compact mounting situations, ERCO has developed luminaires with a shallow recess depth to provide excellent light quality in areas with limited installation space.

Special characteristics	
	Grazing light wallwasher
	Available in round or square
	Shallow recess depth



ERCO high-power LEDs



Efficient Spherolit technology



Different light colors



Excellent thermal management



EMC-optimized



Flush or covered mounting detail



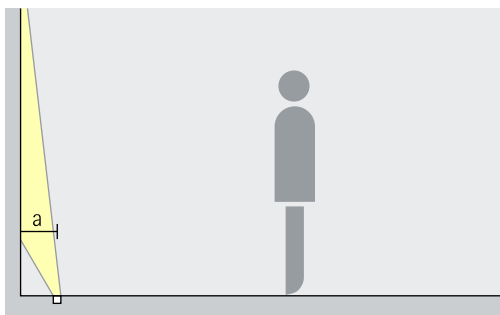
Wet location



Switchable

# Nadir IP67 round Recessed floor luminaires – Luminaire arrangement

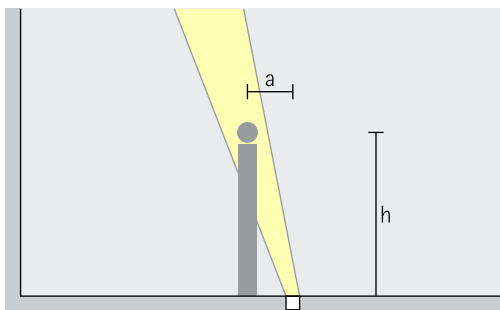
**Grazing light wallwashers**  
Oval flood



**Wallwashing**  
For grazing light at selected points, the distance (a) of Nadir IP67 grazing light wallwashers from the wall should be between 8" and 19".

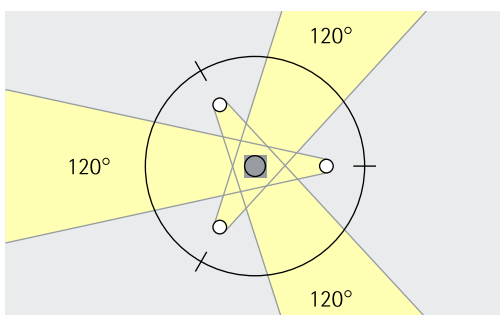
Arrangement:  $8" < a < 19"$

**Directional luminaires**  
Spot



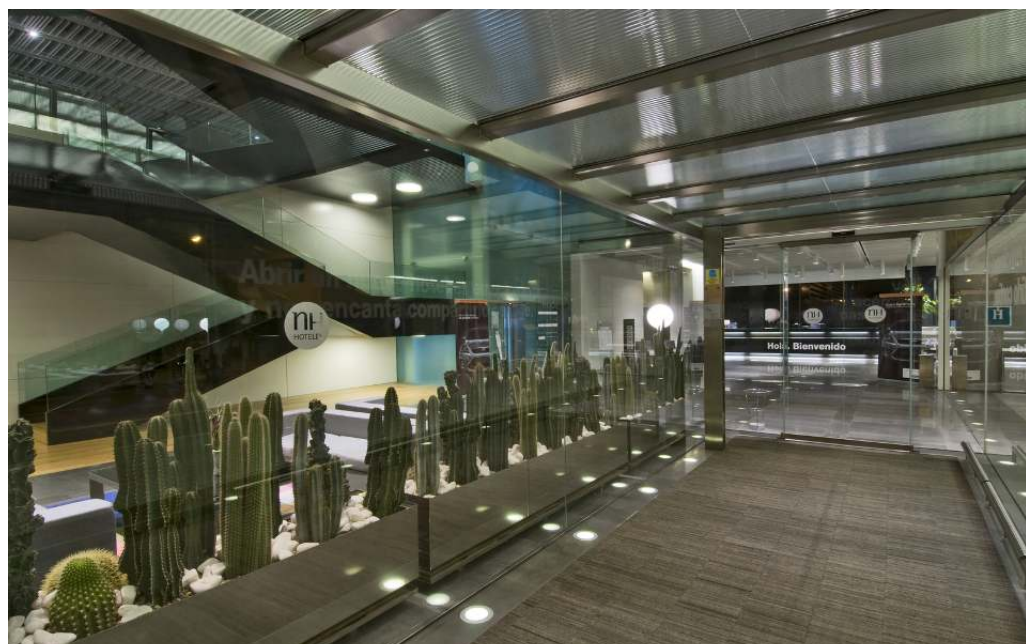
**Accentuation**  
Experience has shown the ideal angle of tilt (a) for accent lighting with Nadir directional luminaires to be 20°. This ensures good modeling without excessive grazing light.

Arrangement:  $\alpha = 20^\circ$



The arrangement ( $\gamma$ ) of three luminaires positioned at an angle of 120° to each other allows for all-round illumination of objects in a room.

Arrangement:  $\gamma = 120^\circ$



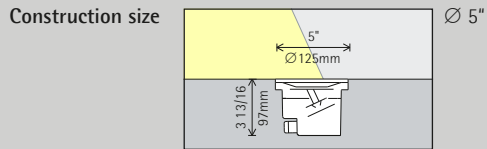
Hotel NH Constanza, Barcelona.  
Architect: Manuel de Solá-Morales, Barcelona; Lucho Marcial, Rafael Moneo, Madrid.  
Photography: Thomas Mayer, Neuss.

Palau Güell,  
Barcelona. Archi-  
tect: Antonio  
Gaudí.



Färdig Betong  
Conference  
Centre, Mör-  
rum. Architect:  
Anders Törnqvist  
Arkitektkontor AB,  
Karlshamn.

# Nadir IP67 round Recessed floor luminaires



**LED module**  
Maximum value at 4000K CRI 82

3W/450lm

**Light color**

	2700K CRI 92		3500K CRI 92
	3000K CRI 92		4000K CRI 82
	3000K CRI 97		4000K CRI 92

**Light distribution**

Grazing light wallwashers		Directional luminaires	
	Oval flood		Spot

**Control**

Switchable

**Accessories**

	Junction box		Mounting ring
	Recessed housing		Suction holder



Steigenberger  
Hotel Handelshof,  
Leipzig. Interior  
and lighting  
design: Markus-  
Diedenhofen  
Innenarchitektur,  
Reutlingen.

Article numbers and planning data:  
[www.erco.com/011334-us](http://www.erco.com/011334-us)

Design and application:  
[www.erco.com/nadir-round](http://www.erco.com/nadir-round)





Zurich  
Development  
Center

