



Quintessence round – Elegant accentuation and floodlighting

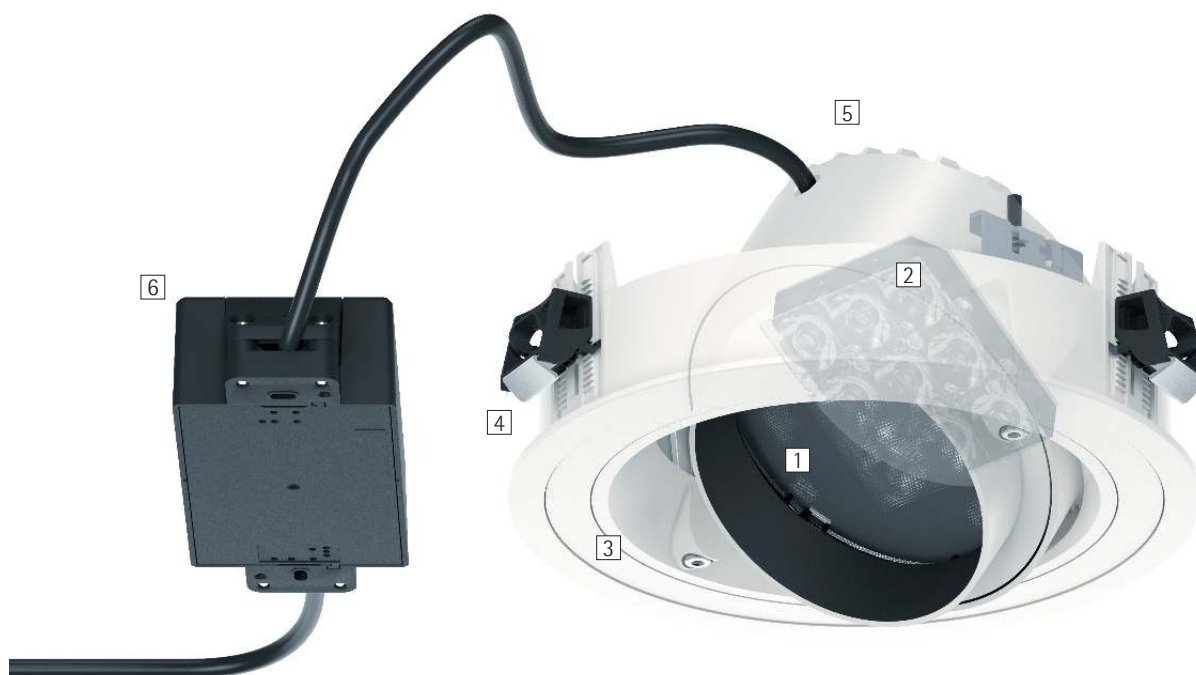
Round recessed spotlights and recessed floodlights for prestigious areas, exhibitions and salesrooms

The Quintessence round recessed spotlights help you expertly accentuate individual areas or objects. The recessed floodlights, meanwhile, direct the attention of the observer onto your shelves and product tables. The luminaires integrate elegantly with the room architecture, their large swivel range enables you to reach even far corners of the room.

The Quintessence system design facilitates a flexible lighting con-

cept as a unified whole. Combine spotlights and floodlights with each other or with the Quintessence downlights. Select the appropriate mounting details and lamps. Whatever your choice, the result is always a highly efficient lighting system meeting the highest standards of light quality.

Quintessence round Recessed spotlights, recessed floodlights



Structure and characteristics

The features described here are typical of products in this range. Special versions may offer additional or varying features. A comprehensive description of the features of individual products can be found on our website.

1 ERCO Spherolit lens

- Light distributions: narrow spot, spot, flood, wide flood or oval flood
- Oval flood 360° rotation

2 ERCO LED-module

- High-power LEDs: warm white (2700K or 3000K) or neutral white (3500K or 4000K)
- Collimating lens made of optical polymer

3 Flush or recessed cassette

- Polymer, white

4 Mounting ring

- Covered mounting detail
- Fixing for ceiling thicknesses of 1-25mm (size 4) or 1-30mm (size 7)
- Polymer, white
- For flush mounting: mounting ring to be ordered separately, fixing for ceiling thicknesses of 1/2" - 1" / 12.5-25mm

5 Housing

- Cast aluminum
- 0°-40° tilt, 360° rotation
- Lockable angles of tilt and rotation
- Anti-glare ring: polymer or cast aluminum, internal black lacquered, external white

6 Control gear

- Switchable, trailing edge dimmable or 0-10V dimmable
- Trailing edge dimmable version: Dimming with external dimmers possible

Variants on request

- Cassette and mounting ring: 10,000 further colors
 - Control: Lutron
- Please contact your ERCO consultant.



Design and application:
www.erco.com/quintessence-round-r

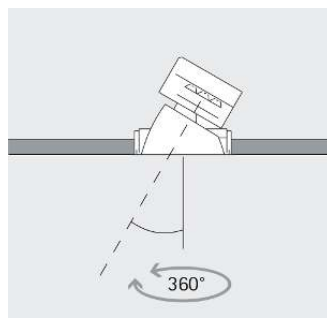
Quintessence round Recessed spotlights, recessed floodlights



Oval flood freely rotatable
The oval flood Spherolit lens can be freely rotated with round luminaire heads to optimally match the lighting to various objects.



Covered or flush mounting detail
As standard, all recessed luminaires have overlapping installation details. Flush mounting rings are available as accessories.



Pivotable through 40°
The luminaires can be adjusted precisely for optimum beam alignment. The light is thus emitted to precisely where it is required.



Shallow recess depth
In compact installation situations, every millimeter is decisive with the recess depth of a luminaire. ERCO has thus developed special luminaires for shallow recess depths that guarantee very good quality of light even in very tight installation conditions.

Special characteristics



Oval flood, freely rotatable



Flush or covered mounting detail



Pivotable through 40°



Shallow recess depth



ERCO high-power LEDs



Efficient Spherolit technology



Different light distributions



Different light colors



Excellent thermal management



EMC-optimized



Various construction sizes



Lockable



Tool-free mounting



Switchable



Trailing edge dimmable

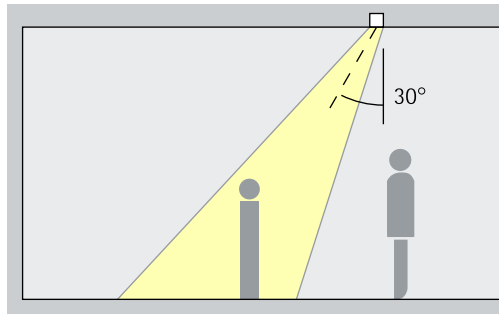


0-10V dimmable

Quintessence round Recessed spotlights, recessed floodlights – Luminaire arrangement

Recessed spotlights

Narrow spot, Spot, Flood



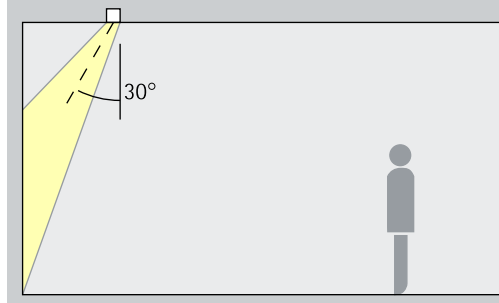
Accentuation

Quintessence recessed spotlights accentuate artwork, products and architectural details effectively. The ideal angle of tilt (α) for this is around 30°. The object is modelled without distorting the effect as a result of excessive shadowing. It also prevents shadows cast by the observer.

Arrangement: $\alpha = 30^\circ$

Recessed floodlights

Wide flood, Oval flood



Washlighting

The ideal angle of tilt (α) for floodlighting objects with a long, square shape, e.g. pictures, sculptures or merchandise displays, is around 30°.

Arrangement: $\alpha = 30^\circ$



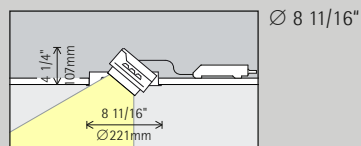
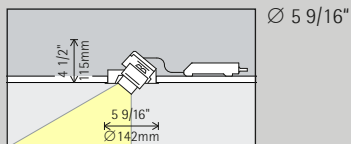
Ekonomikum at the University of Uppsala, Uppsala. Architecture: Sweco Architects, Jonas Kjellander, Stockholm. Photography: Johan Elm, Stockholm.

Quintessence recessed spotlights are used for applications involving ceiling-integrated accent lighting, e.g. in top-rate sales areas.



Quintessence round Recessed spotlights, recessed floodlights

Construction size



LED module
Maximum value at 4000K CRI 82

6W/825lm	2W/275lm (Narrow spot)
----------	------------------------

18W/2475lm	8W/1100lm (Narrow spot)
------------	-------------------------

Light color

	2700K CRI 92		3500K CRI 92
	3000K CRI 92		4000K CRI 82
	3000K CRI 97		4000K CRI 92

	2700K CRI 92		3500K CRI 92
	3000K CRI 92		4000K CRI 82
	3000K CRI 97		4000K CRI 92

Light distribution

Recessed spotlights		Recessed floodlights	
	Narrow spot		Wide flood
	Spot		Oval flood
	Flood		

Recessed spotlights		Recessed floodlights	
	Narrow spot		Wide flood
	Spot		Oval flood
	Flood		

Control

	Switchable
	Trailing edge dimmable
0-10V	0-10V

	Switchable
	Trailing edge dimmable
0-10V	0-10V

Color (housing)

	White
	10,000 colors *

	White
	10,000 colors *

Accessories

	Junction box		Mounting ring
	Flexible metal conduit		Cover ring
	Plaster frame		
	Ultra airtight I.C. box		



Ekonomikum at the University of Uppsala, Uppsala. Architecture: Sweco Architects, Jonas Kjellander, Stockholm. Photography: Johan Elm, Stockholm.

* available on request

Article numbers and planning data:
www.erco.com/013960-us

Design and application:
www.erco.com/quintessence-round-r



