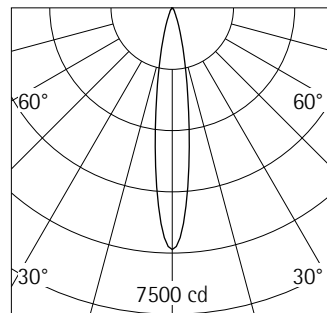
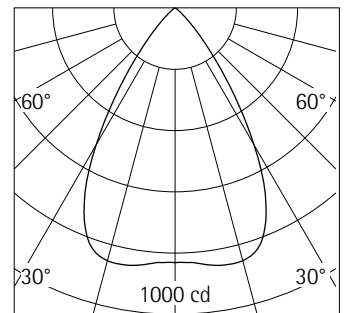


**55271.000** White (RAL9002)  
 LED module: 12W 1230lm 2700K warm white  
 Casambi Bluetooth  
 Version 4  
 Zoom lens spot

**Product description**  
 Housing and bracket: cast aluminium, powder-coated. 0°-90° tilt. Bracket on 3-circuit adapter rotatable through 360°. Internal wiring. ERCO Casambi control gear. 3-phase adapter for ERCO 220-240V track: polymer, white.  
 LED module: high-power LEDs on metal-core PCB. Collimating lens made of optical polymer.  
 Zoom attachment: polymer, coated. Zoom lens, continuously focusable  
 Control via Casambi app (Android/iOS) with Bluetooth Low Energy (BLE)-capable mobile devices or "Casambi Ready" products.  
 Weight 0.80kg



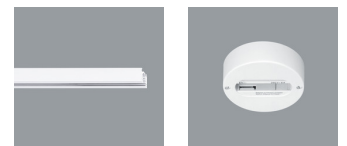
| h(m) | E(lx) | D(m) |
|------|-------|------|
|      |       | 16°  |
| 1    | 5914  | 0.28 |
| 2    | 1479  | 0.56 |
| 3    | 657   | 0.84 |
| 4    | 370   | 1.12 |
| 5    | 237   | 1.41 |



| h(m) | E(lx) | D(m) |
|------|-------|------|
|      |       | 64°  |
| 1    | 832   | 1.25 |
| 2    | 208   | 2.50 |
| 3    | 92    | 3.75 |
| 4    | 52    | 5.00 |
| 5    | 33    | 6.25 |

**Technical data**

|   |                                 |
|---|---------------------------------|
| Luminous flux of the luminaire                      | 866lm                           |
| Connected load                                      | 15.0W                           |
| Luminaire efficacy                                  | 58lm/W                          |
| Colour deviation                                    | 1.5 SDCM                        |
| Colour rendition index                              | CRI 92                          |
| Lumen maintenance (LED manufacturer specifications) | L90/B10 ≤50000h<br>L90 ≤100000h |
| LED failure rate                                    | 0.1% ≤50000h                    |
| Dimming range                                       | 0.1%-100%                       |
| Dimming method                                      | CCR                             |
| LMF   | E                               |
| Standby power per control gear                      | 0.4W                            |
| Luminaires per circuit breaker B16                  | 205                             |



**Mounting**

ERCO 3-circuit track  
 Hi-trac 3-circuit track  
 1-circuit singlet

For your regional contact in the ERCO  
 Sales network click here  
[www.ercos.com/contact](http://www.ercos.com/contact)

Technical Region: 220-240V 50/60Hz  
 We reserve the right to make technical and design changes.  
 Edition: 16.11.2022  
 Current version under  
[www.ercos.com/55271.000](http://www.ercos.com/55271.000)

## Planning data

| Cleaning (a) | 1    |      |      |      | 2    |      |      |      | 3    |      |      |      |
|--------------|------|------|------|------|------|------|------|------|------|------|------|------|
|              | P    | C    | N    | D    | P    | C    | N    | D    | P    | C    | N    | D    |
| LMF          | 0.96 | 0.94 | 0.90 | 0.86 | 0.93 | 0.91 | 0.86 | 0.81 | 0.92 | 0.90 | 0.84 | 0.79 |
| RSMF         | 0.99 | 0.97 | 0.95 | 0.92 | 0.98 | 0.97 | 0.95 | 0.92 | 0.98 | 0.97 | 0.95 | 0.92 |

| Hours of operation (h) | 1000 | 5000 | 10000 | 20000 | 30000 | 40000 | 50000 |
|------------------------|------|------|-------|-------|-------|-------|-------|
| LLMF                   | 1.00 | 0.99 | 0.98  | 0.96  | 0.94  | 0.92  | 0.90  |
| LSF                    | 1    | 1    | 1     | 1     | 1     | 1     | 1     |

- MF LMFxRSMFxLLMFxLSF
- MF Maintenance Factor
- LMF Luminaire Maintenance Factor
- RSMF Room Surface Maintenance Factor
- LLMF Lamp Lumens Maintenance Factor
- LSF Lamp Survival Factor
- P Room pure
- C Room clean
- N Room normal
- D Room dirty

### Data according to regulations

2019/2020/EU supplemented by 2021/341/EU and 2019/2015/EU supplemented by 2021/340/EU Energy Consumption Labelling Ordinance

This product contains a light source of efficiency class F

Due to thermal and photometric properties as well as to protect electronic components from ESD (electrostatic discharge) the light source cannot be changed by the customer.

ID EPREL: 696753

Model identifier: 3000054493

Download data sheets for control gear and disassembly instructions at [www.erco.com/slr](http://www.erco.com/slr)

### Technical data in accordance with international norms and standards

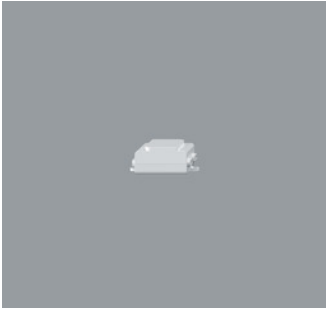
- IEC 60598 Luminaires – Part 1+2: general requirements, specific requirements and tests
- IEC 62031 LED modules for general lighting – safety requirements
- IEC 62471 Photobiological safety of lamps and lamp systems
- EN 13032-4 Light and lighting – measurement and representation of photometric data
- CIE 13 Method of measuring and specifying colour rendering properties of light sources

All technical data is subject to industry-standard tolerances.

Also see [www.erco.com/erco-led](http://www.erco.com/erco-led)

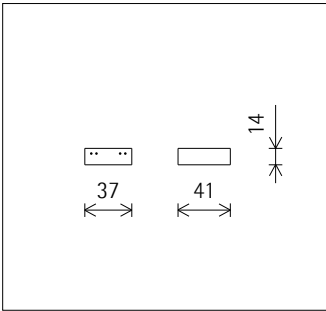
For explanations of the symbols and abbreviations used and other general information, see [www.erco.com/symbols](http://www.erco.com/symbols)

## Accessories



**55251.000**  
 DALI Casambi Gateway  
 Enables DALI systems to be connected to luminaires, sensors and control units with Casambi Bluetooth. The gateway can only be operated in Evolution networks. Power is supplied exclusively via the DALI bus. Connection via two lines which must be designed for mains voltage. The gateway requires no DALI addresses, the devices appear as non-configured devices in the DALI system. Addressing/commissioning is performed via the DALI control. It can individually control 64 devices, and via the broadcast command up to 249 devices.  
 This article is identical with article AC007001.

CE UK



**55248.000**  
 ERCO Casambi motion detector with light sensor for ERCO 220-240V track.  
 Setup via Casambi app (Android/iOS) with Bluetooth Low Energy (BLE)-capable mobile devices.  
 Use for daylight-dependent light control with or without motion detector. Detection range of infrared (PIR) sensor 100°/ 5m. At 3m room height, this is a circle with diameter of approx. 7m.  
 3-phase adapter for ERCO 220-240V track: plastic, white.

White  
 Weight 0.18kg  
 CE UK



**55249.000**  
 ERCO Casambi motion detector with light sensor for ERCO 220-240V track.  
 Setup via Casambi app (Android/iOS) with Bluetooth Low Energy (BLE)-capable mobile devices.  
 Use for daylight-dependent light control with or without motion detector. Detection range of infrared (PIR) sensor 100°/ 5m. At 3m room height, this is a circle with diameter of approx. 7m.  
 3-phase adapter for ERCO 220-240V track: polymer, black.

Black  
 Weight 0.18kg  
 CE UK