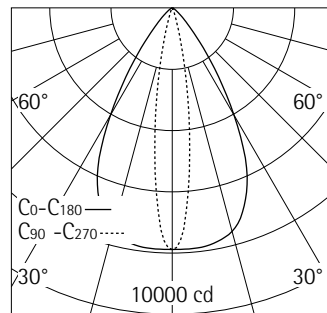


**73849.000** Silver  
 LED module: 24W 3300lm 4000K  
 neutral white  
 Switchable  
 Version 4  
 Spherolit lens, oval flood

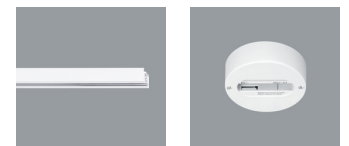
**Product description**  
 Housing and bracket: cast aluminium, powder-coated. 0°-90° tilt. Bracket on 3-circuit adapter rotatable through 360°. Internal wiring. ERCO control gear. 3-phase adapter for ERCO 220-240V track: polymer, black. LED module: high-power LEDs on metal-core PCB. Collimating lens made of optical polymer. Lens rotatable through 360°. Weight 0.94kg



h(m)	E(lx)	D(m)	
		C0	C90
		60°	16°
1	7885	1.15	0.28
2	1971	2.31	0.56
3	876	3.46	0.84
4	493	4.62	1.12
5	315	5.77	1.41

**Technical data**

Luminous flux of the luminaire	2814lm
Connected load	27.0W
Luminaire efficacy	104lm/W
Colour deviation	1.5 SDCM
Colour rendition index	CRI 82
Lumen maintenance (LED manufacturer specifications)	L90/B10 ≤50000h L90 ≤100000h
LED failure rate	0.1% ≤50000h
Dimming range	--
Dimming method	--
LMF	E
Standby power per control gear	--
Luminaires per circuit breaker B16	44



**Mounting**  
 ERCO 3-circuit track  
 Hi-trac 3-circuit track  
 1-circuit singlet

For your regional contact in the ERCO  
 Sales network click here  
[www.ercos.com/contact](http://www.ercos.com/contact)

Technical Region: 220-240V 50/60Hz  
 We reserve the right to make technical and design changes.  
 Edition: 16.11.2022  
 Current version under  
[www.ercos.com/73849.000](http://www.ercos.com/73849.000)

## Planning data

Cleaning (a)	1				2				3			
	P	C	N	D	P	C	N	D	P	C	N	D
LMF	0.96	0.94	0.90	0.86	0.93	0.91	0.86	0.81	0.92	0.90	0.84	0.79
RSMF	0.99	0.97	0.95	0.92	0.98	0.97	0.95	0.92	0.98	0.97	0.95	0.92

Hours of operation (h)	1000	5000	10000	20000	30000	40000	50000
LLMF	1.00	0.99	0.98	0.96	0.94	0.92	0.90
LSF	1	1	1	1	1	1	1

- MF LMFxRSMFxLLMFxLSF
- MF Maintenance Factor
- LMF Luminaire Maintenance Factor
- RSMF Room Surface Maintenance Factor
- LLMF Lamp Lumens Maintenance Factor
- LSF Lamp Survival Factor
- P Room pure
- C Room clean
- N Room normal
- D Room dirty

### Data according to regulations

2019/2020/EU supplemented by 2021/341/EU and 2019/2015/EU supplemented by 2021/340/EU Energy Consumption Labelling Ordinance

This product contains a light source of efficiency class D  
 Due to thermal and photometric properties as well as to protect electronic components from ESD (electrostatic discharge) the light source cannot be changed by the customer.

ID EPREL: 696743  
 Model identifier: 3000054478  
 Download data sheets for control gear and disassembly instructions at [www.erco.com/slr](http://www.erco.com/slr)

### Technical data in accordance with international norms and standards

- IEC 60598 Luminaires – Part 1+2: general requirements, specific requirements and tests
- IEC 62031 LED modules for general lighting – safety requirements
- IEC 62471 Photobiological safety of lamps and lamp systems
- EN 13032-4 Light and lighting – measurement and representation of photometric data
- CIE 13 Method of measuring and specifying colour rendering properties of light sources

All technical data is subject to industry-standard tolerances.  
 Also see [www.erco.com/erco-led](http://www.erco.com/erco-led)

For explanations of the symbols and abbreviations used and other general information, see [www.erco.com/symbols](http://www.erco.com/symbols)

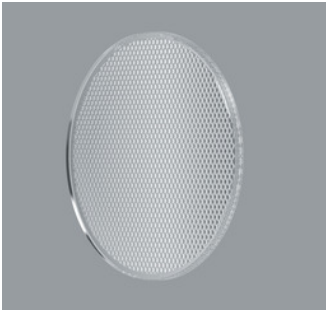
## Accessories



**70863.000**  
Spherolit lens spot  
made of optical polymer.  
Replacement without tools.



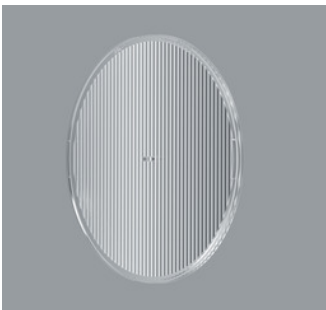
**70848.000**  
Spherolit lens flood  
made of optical polymer.  
Replacement without tools.



**70849.000**  
Spherolit lens wide flood  
made of optical polymer.  
Replacement without tools.



**73998.000**  
Spherolit lens extra wide flood  
made of optical polymer.  
Replacement without tools.



**70864.000**  
Spherolit lens oval flood  
made of optical polymer.  
Replacement without tools.



**70865.000**  
Spherolit lens wallwash  
made of optical polymer.  
Replacement without tools.