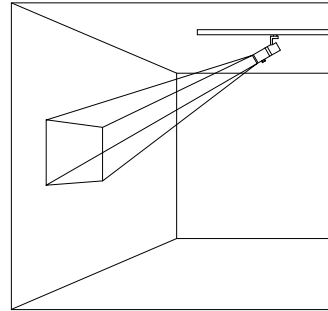


A1032239 White (RAL9002)
 LED module: 25.1W 2797lm 3000K
 warm white
 DALI-2
 Version 1
 Size L
 Lens Unit wide framing

Product description
 Housing: cast aluminium, powder-coated; can be swivelled through 90° on the bracket. Upper cover made of polymer.
 Bracket: cast aluminium/polymer, coated; can be rotated through 360° on the adapter.
 DALI adapter for ERCO DALI 220-240V track: polymer, white.
 DALI control gear.
 LED module: high-power LEDs. Collimating lens made of optical polymer.
 Lens Unit: Aluminium/polymer, coated white, pivotable through 360°. 2 projection lenses, continuously focusable. Ideal for short projection distances.
 Framing attachment: stainless steel, black. Aperture.
 For ceiling mounting only.
 Install the luminaire out of people's normal reach.
 Weight 1.97kg



Measured illuminance levels (new values) E (lx) and maximum edge length D (m) of square projection through framing attachment dependent on projection distance h (m)

h (m)	E (lx)	D (m)
1	1232	0.79
2	308	1.57
3	137	2.36
4	77	3.15
5	49	3.93

Technical data

Luminous flux of the luminaire	618lm
Connected load	27.5W
Luminaire efficacy	22lm/W
Colour deviation	1.5 SDCM
Colour rendition index	CRI 92
Lumen maintenance (LED manufacturer specifications)	L90/B10 ≤50000h L90 ≤100000h
LED failure rate	0.1% ≤50000h
Dimming range	1%-100%
Dimming method	CCR
LMF	E
Standby power per control gear	0.5W
Luminaires per circuit breaker B16	50



Mounting
 ERCO DALI track
 Hi-trac DALI track
 DALI singlet

For your regional contact in the ERCO
 Sales network click here
www.ercos.com/contact

Technical Region: 220-240V 50/60Hz
 We reserve the right to make technical and design changes.
 Edition: 28.01.2023
 Current version under
www.ercos.com/A1032239

Planning data

Melanopic light effect

Art. no.	Spectrum	MR	MDER
A1032239 (direct)	3000K CRI 92	0.54	0.48

MR Melanopic ratio according to DIN SPEC 5031-100-100:2015-08: "amel;v"

MDER Melanopic daylight equivalent ratio according to DIN SPEC 5031-100-100:2015-08: "amel;D65;v"

Multiplying the melanopic ratio MR with the illuminance gives the equivalent melanopic illuminance EML (equivalent melanopic lux). The equivalent illuminance with daylight (D65) is obtained by multiplying the illuminance by the melanopic daylight equivalent ratio MDER.

Cleaning (a)	1				2				3			
	P	C	N	D	P	C	N	D	P	C	N	D
LMF	0.96	0.94	0.90	0.86	0.93	0.91	0.86	0.81	0.92	0.90	0.84	0.79
RSMF	0.99	0.97	0.95	0.92	0.98	0.97	0.95	0.92	0.98	0.97	0.95	0.92

Hours of operation (h)	1000	5000	10000	20000	30000	40000	50000
LLMF	1.00	0.99	0.98	0.96	0.94	0.92	0.90
LSF	1	1	1	1	1	1	1

MF	LMF×RSMF×LLMF×LSF
MF	Maintenance Factor
LMF	Luminaire Maintenance Factor
RSMF	Room Surface Maintenance Factor
LLMF	Lamp Lumens Maintenance Factor
LSF	Lamp Survival Factor
P	Room pure
C	Room clean
N	Room normal
D	Room dirty

Data according to regulations

2019/2020/EU supplemented by 2021/341/EU and 2019/2015/EU supplemented by 2021/340/EU Energy Consumption Labelling Ordinance

This product contains a light source of efficiency class E

Due to thermal and photometric properties as well as to protect electronic components from ESD (electrostatic discharge) the light source cannot be changed by the customer.

ID EPREL: 985720

Model identifier: 3000060580

Download data sheets for control gear and disassembly instructions at www.erco.com/slr

Technical data in accordance with international norms and standards

IEC 60598	Luminaires – Part 1+2: general requirements, specific requirements and tests
IEC 62031	LED modules for general lighting – safety requirements
IEC 62471	Photobiological safety of lamps and lamp systems
EN 13032-4	Light and lighting – measurement and representation of photometric data
CIE 13	Method of measuring and specifying colour rendering properties of light sources

All technical data is subject to industry-standard tolerances.

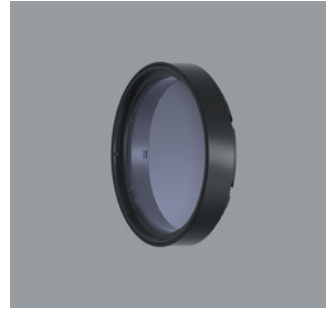
Also see www.erco.com/erco-led

For explanations of the symbols and abbreviations used and other general information, see www.erco.com/symbols

Accessories



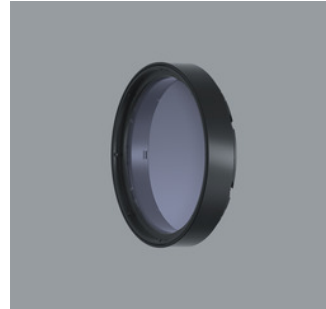
AC002255
 Lens unit narrow framing
 Aluminium/polymer, coated black,
 pivotable through 360°. Replacement
 without tools.
 Projection lens, continuously focusable.
 Ideal for long projection distances.
 Framing attachment: stainless steel,
 black.
 Aperture.



AC006038
 Cold Filter
 Filter holder: polymer, black, rotatable
 through 360°. Replacement without
 tools.



AC002256
 Lens unit narrow framing
 Aluminium/polymer, coated white,
 pivotable through 360°. Replacement
 without tools.
 Projection lens, continuously focusable.
 Ideal for long projection distances.
 Framing attachment: stainless steel,
 black.
 Aperture.



AC006036
 Cold Filter Plus
 Filter holder: polymer, black, rotatable
 through 360°. Replacement without
 tools.



AC002259
 Lens unit wide framing
 Aluminium/polymer, coated white,
 pivotable through 360°. Replacement
 without tools.
 2 projection lenses, continuously
 focusable. Ideal for short projection
 distances.
 Framing attachment: stainless steel,
 black.
 Aperture.



AC006049
 Warm Filter
 Filter holder: polymer, black, rotatable
 through 360°. Replacement without
 tools.



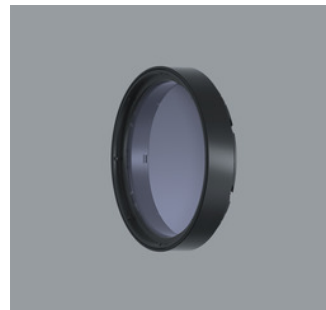
AC002264
 Lens unit wide framing
 Aluminium/polymer, coated black,
 pivotable through 360°. Replacement
 without tools.
 2 projection lenses, continuously
 focusable. Ideal for short projection
 distances.
 Framing attachment: stainless steel,
 black.
 Aperture.



AC006048
 Warm Filter Plus
 Filter holder: polymer, black, rotatable
 through 360°. Replacement without
 tools.



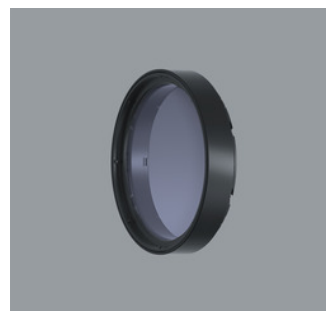
AC006035
 Softening lens
 Filter holder: polymer, black, rotatable
 through 360°. Replacement without
 tools.



AC006039
 Skintone Filter
 Filter holder: polymer, black, rotatable
 through 360°. Replacement without
 tools.

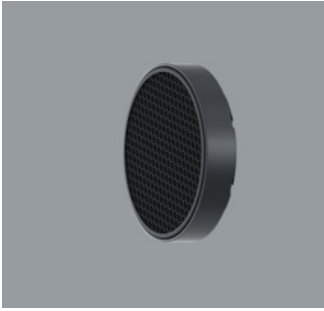


AC006043
 Sculpture lens
 Filter holder: polymer, black, rotatable
 through 360°. Replacement without
 tools.



AC006037
 Blue Light Filter
 Filter holder: polymer, black, rotatable
 through 360°. Replacement without
 tools.

Accessories



AC004026
Honeycomb anti-glare screen
Aluminium, powder-coated black,
polymer outer.