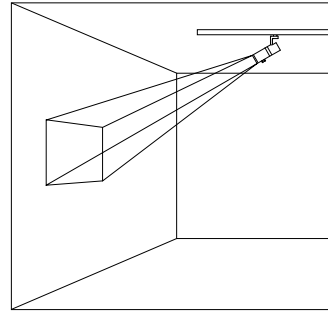


**A1035473** Silver  
 LED module: 25.1W 2797lm 3000K  
 warm white  
 Switchable  
 Version 1  
 Size L  
 Lens Unit wide framing

**Product description**  
 Housing: cast aluminium, powder-coated; can be swivelled through 90° on the bracket. Upper cover made of polymer.  
 Bracket: cast aluminium/polymer, coated; can be rotated through 360° on the adapter.  
 3-phase adapter for ERCO 220-240V track: polymer, black.  
 Control gear.  
 LED module: high-power LEDs. Collimating lens made of optical polymer.  
 Lens Unit: aluminium/polymer, coated black, pivotable through 360°. 2 projection lenses, continuously focusable. Ideal for short projection distances.  
 Framing attachment: stainless steel, black. Aperture.  
 For ceiling mounting only.  
 Install the luminaire out of people's normal reach.  
 Weight 1.85kg

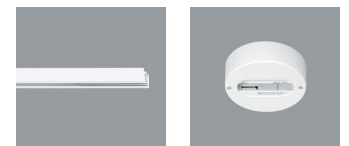


Measured illuminance levels (new values) E (lx) and maximum edge length D (m) of square projection through framing attachment dependent on projection distance h (m)

h (m)	E (lx)	D (m)
1	1232	0.79
2	308	1.57
3	137	2.36
4	77	3.15
5	49	3.93

**Technical data**

Luminous flux of the luminaire	618lm
Connected load	27.5W
Luminaire efficacy	22lm/W
Colour deviation	1.5 SDCM
Colour rendition index	CRI 92
Lumen maintenance (LED manufacturer specifications)	L90/B10 ≤50000h L90 ≤100000h
LED failure rate	0.1% ≤50000h
Dimming range	1%-100%
Dimming method	--
LMF	E
Standby power per control gear	--
Luminaires per circuit breaker B16	50



**Mounting**  
 ERCO 3-circuit track  
 Hi-trac 3-circuit track  
 1-circuit singlet

## Planning data

### Melanopic light effect

Art. no.	Spectrum	MR	MDER
A1035473 (direct)	3000K CRI 92	0.54	0.48

MR Melanopic ratio according to DIN SPEC 5031-100-100:2015-08: "amel;v"  
 MDER Melanopic daylight equivalent ratio according to DIN SPEC 5031-100-100:2015-08: "amel;D65;v"

Multiplying the melanopic ratio MR with the illuminance gives the equivalent melanopic illuminance EML (equivalent melanopic lux). The equivalent illuminance with daylight (D65) is obtained by multiplying the illuminance by the melanopic daylight equivalent ratio MDER.

Cleaning (a)	1				2				3			
	P	C	N	D	P	C	N	D	P	C	N	D
LMF	0.96	0.94	0.90	0.86	0.93	0.91	0.86	0.81	0.92	0.90	0.84	0.79
RSMF	0.99	0.97	0.95	0.92	0.98	0.97	0.95	0.92	0.98	0.97	0.95	0.92

Hours of operation (h)	1000	5000	10000	20000	30000	40000	50000
LLMF	1.00	0.99	0.98	0.96	0.94	0.92	0.90
LSF	1	1	1	1	1	1	1

- MF LMFxRSMFxLLMFxLSF
- MF Maintenance Factor
- LMF Luminaire Maintenance Factor
- RSMF Room Surface Maintenance Factor
- LLMF Lamp Lumens Maintenance Factor
- LSF Lamp Survival Factor
- P Room pure
- C Room clean
- N Room normal
- D Room dirty

### Data according to regulations

2019/2020/EU supplemented by 2021/341/EU and 2019/2015/EU supplemented by 2021/340/EU Energy Consumption Labelling Ordinance

This product contains a light source of efficiency class E  
 Due to thermal and photometric properties as well as to protect electronic components from ESD (electrostatic discharge) the light source cannot be changed by the customer.

ID EPREL: 985720  
 Model identifier: 3000060580  
 Download data sheets for control gear and disassembly instructions at [www.erco.com/slr](http://www.erco.com/slr)

### Technical data in accordance with international norms and standards

- IEC 60598 Luminaires – Part 1+2: general requirements, specific requirements and tests
- IEC 62031 LED modules for general lighting – safety requirements
- IEC 62471 Photobiological safety of lamps and lamp systems
- EN 13032-4 Light and lighting – measurement and representation of photometric data
- CIE 13 Method of measuring and specifying colour rendering properties of light sources

All technical data is subject to industry-standard tolerances.  
 Also see [www.erco.com/erco-led](http://www.erco.com/erco-led)

For explanations of the symbols and abbreviations used and other general information, see [www.erco.com/symbols](http://www.erco.com/symbols)

Accessories



**AC002255**  
 Lens unit narrow framing  
 Aluminium/polymer, coated black,  
 pivotable through 360°. Replacement  
 without tools.  
 Projection lens, continuously focusable.  
 Ideal for long projection distances.  
 Framing attachment: stainless steel,  
 black.  
 Aperture.



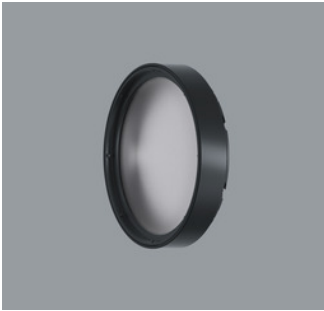
**AC006049**  
 Warm Filter  
 Filter holder: polymer, black, rotatable  
 through 360°. Replacement without  
 tools.



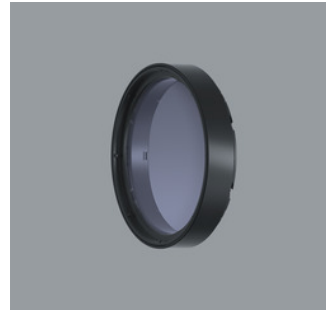
**AC002264**  
 Lens unit wide framing  
 Aluminium/polymer, coated black,  
 pivotable through 360°. Replacement  
 without tools.  
 2 projection lenses, continuously  
 focusable. Ideal for short projection  
 distances.  
 Framing attachment: stainless steel,  
 black.  
 Aperture.



**AC006048**  
 Warm Filter Plus  
 Filter holder: polymer, black, rotatable  
 through 360°. Replacement without  
 tools.



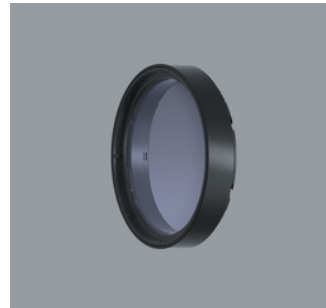
**AC006035**  
 Softening lens  
 Filter holder: polymer, black, rotatable  
 through 360°. Replacement without  
 tools.



**AC006039**  
 Skintone Filter  
 Filter holder: polymer, black, rotatable  
 through 360°. Replacement without  
 tools.



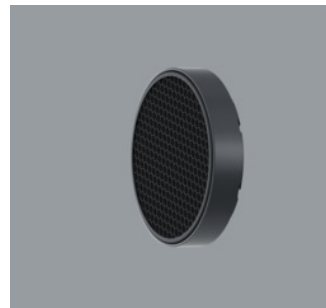
**AC006043**  
 Sculpture lens  
 Filter holder: polymer, black, rotatable  
 through 360°. Replacement without  
 tools.



**AC006037**  
 Blue Light Filter  
 Filter holder: polymer, black, rotatable  
 through 360°. Replacement without  
 tools.



**AC006038**  
 Cold Filter  
 Filter holder: polymer, black, rotatable  
 through 360°. Replacement without  
 tools.



**AC004026**  
 Honeycomb anti-glare screen  
 Aluminium, powder-coated black,  
 polymer outer.



**AC006036**  
 Cold Filter Plus  
 Filter holder: polymer, black, rotatable  
 through 360°. Replacement without  
 tools.